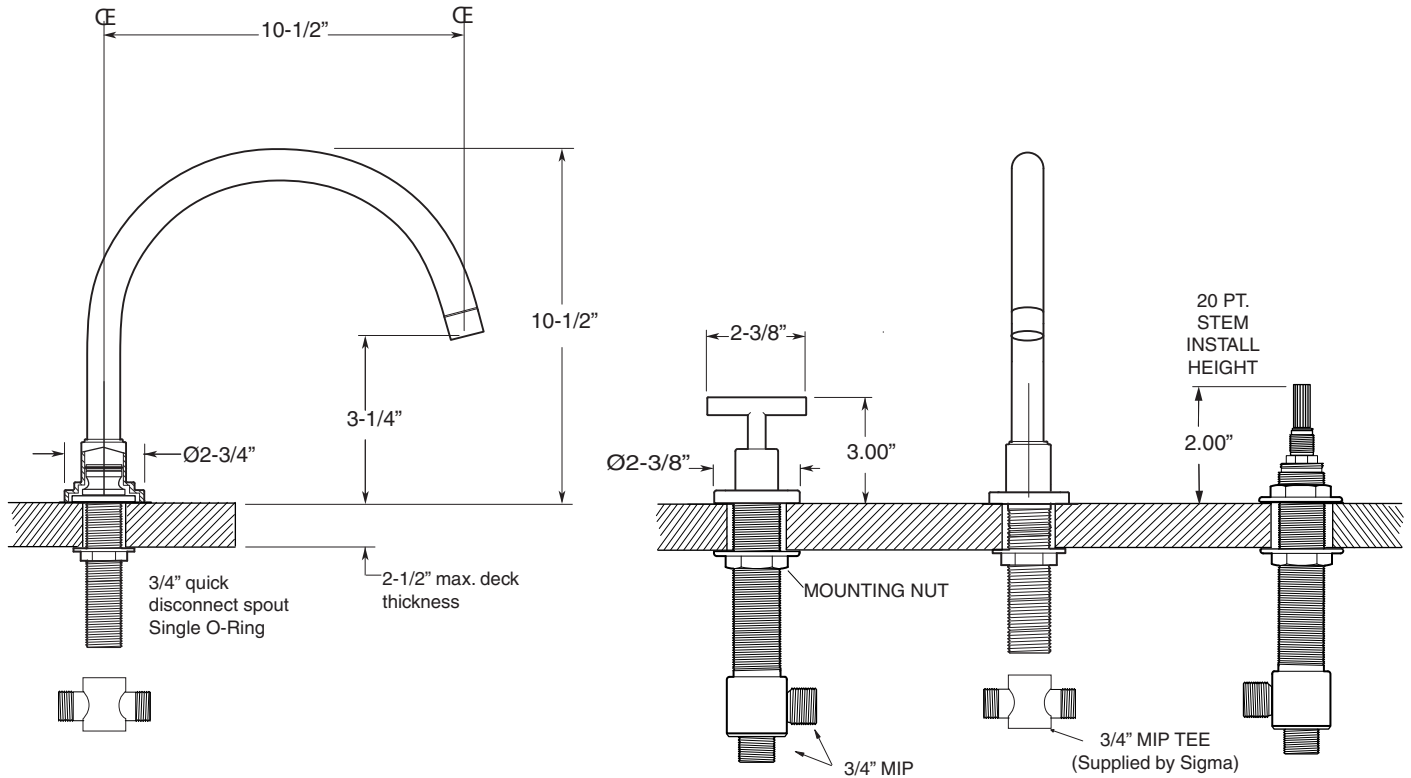


**FEATURES:**

- All brass construction.
- T-handle style with inside screw attachment.
- 3/4" valve bodies with 20 pt. 1/4-turn ceramic disc cartridge.
- Available in all finishes. Warranty varies according to finish.
- Certified to meet or exceed the following codes and standards:  
ASME A112.18.1-2005/CSAB 125.1-2005

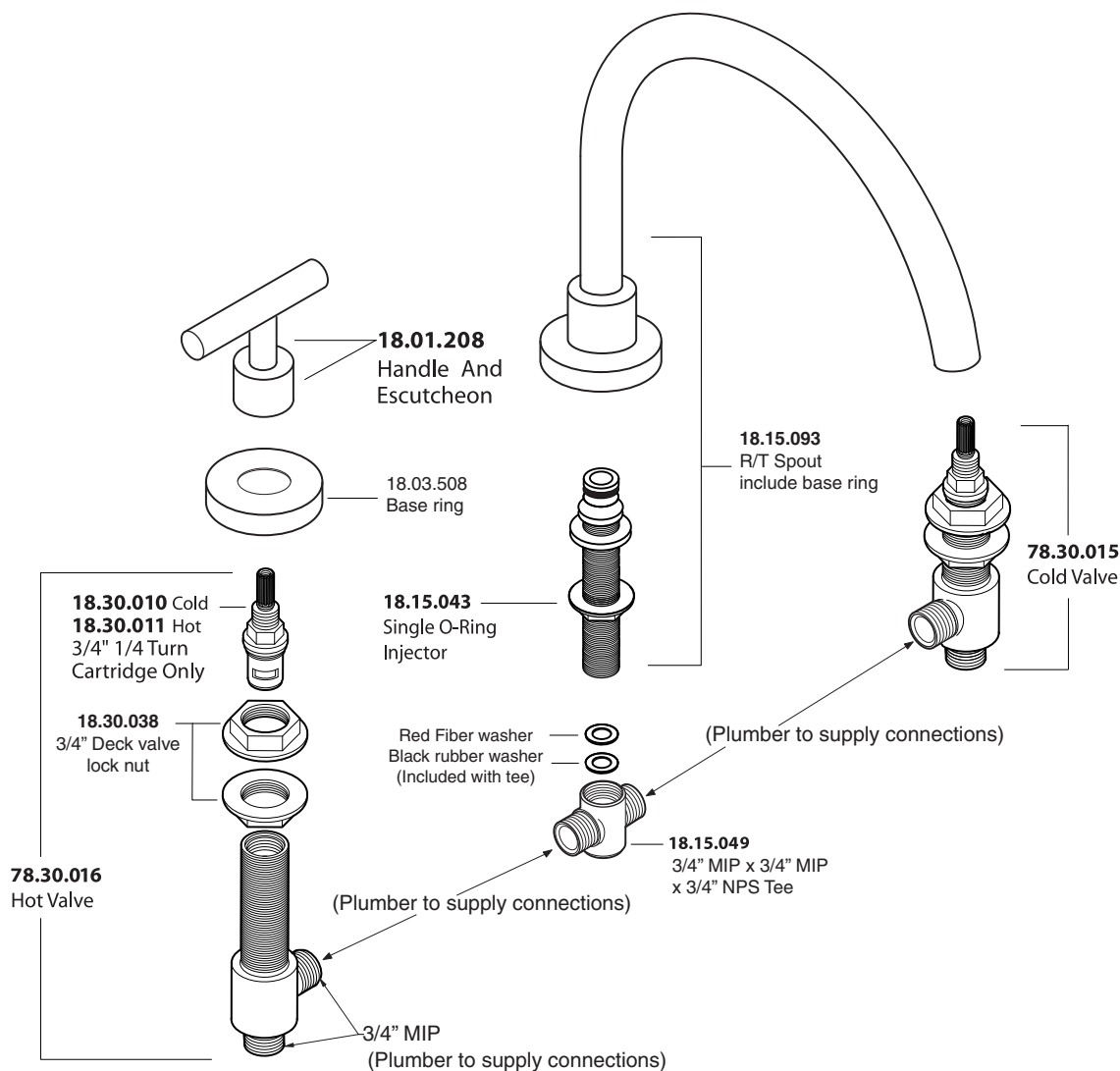
**Ceres II**  
**Roman Tub Set**  
**1.345077**  
**(1.345077T - Trim only)**



**NOTE:** Spout and valves install through 1-1/4" diameter holes.  
Plumber to provide 3/4" supply lines to valves

# Series 3400

## Ceres II Roman Tub Set



American Faucet & Coatings Corporation.

Tel: 760-598-5895, Toll Free Fax 800-621-8383, customerservice@sigmafaucet.com