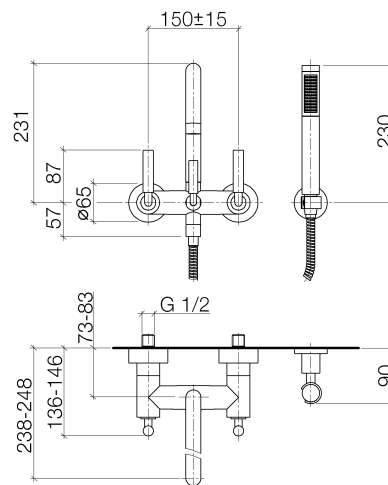




Product specifications

- **9 1/2" projection**
 - M 22 x 1 aerator – female thread
 - Back flow preventer in shower outlet
 - 3/8" shower outlet
 - Diverter
 - 1/2" ceramic disc cartridge
 - Hand shower with descaling system and back flow preventer
 - 3/8" x 1/2" x 49 1/4" shower hose with rotating hose connector
 - Flanges \varnothing 2 1/2"
 - 2" diameter flanges
 - Center to center 5 7/8"
 - Required adaptors (2 x 35 080 970-90 0010) to be ordered separately
 - Hand shower water flow rate limited to max. 2.5 gpm
- Combination with risers possible on request.
Internal backflow preventer.

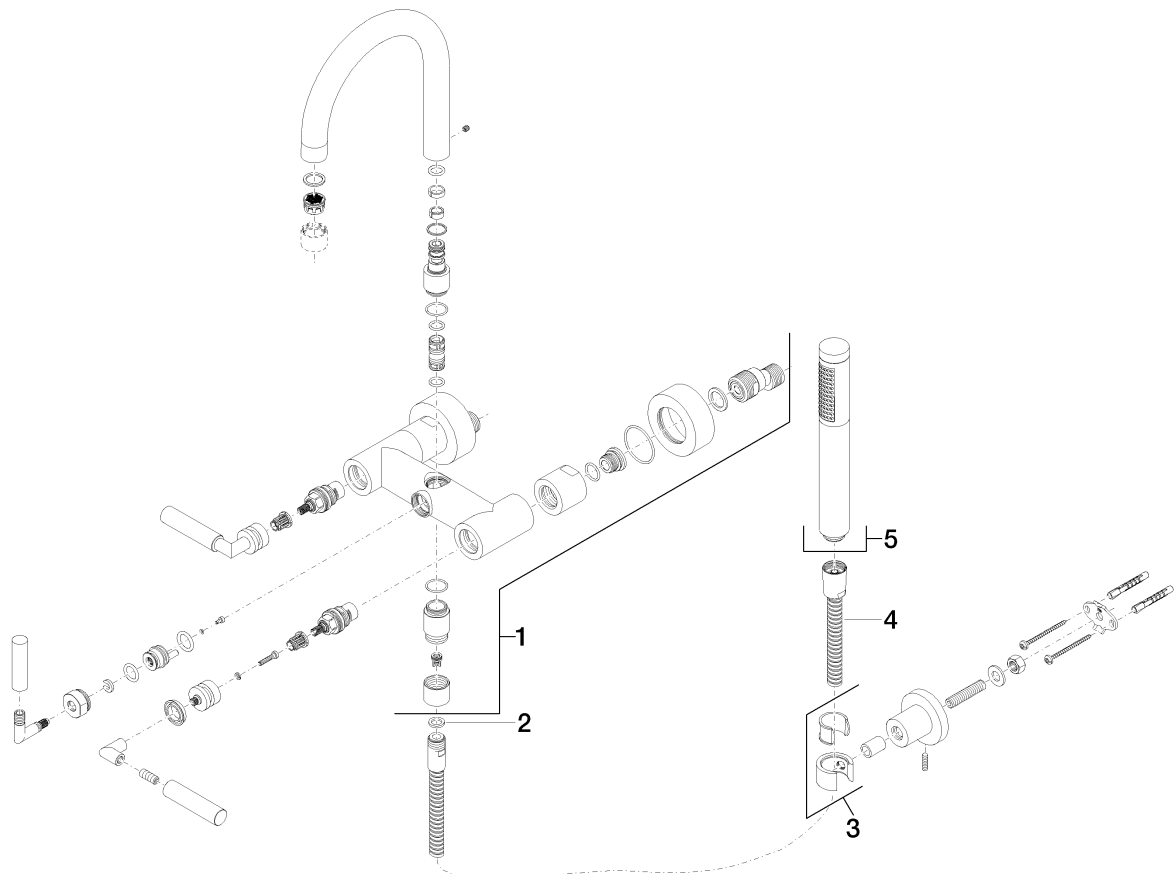




Surfaces

- chrome 25133882-00
- chrome 25133882-00
- matt platinum 25133882-06
- matt platinum 25133882-06
- platinum 25133882-08
- platinum 25133882-08
- matt white 25133882-10
- matt white 25133882-10
- matt black 25133882-33
- matt black 25133882-33

Exploded assembly drawing





Order quantity

No.	Article number	Name	Installation quantity
1	25100882ff	shower set	1
2	09142002690	seal	1
3	28050892ff	holder	1
4	093002072ff	hose	1
5	28010979ff0010	shower	1

