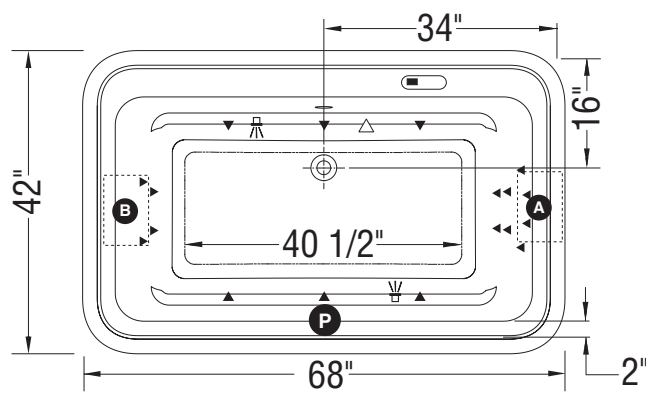
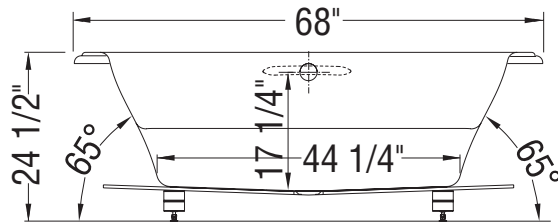
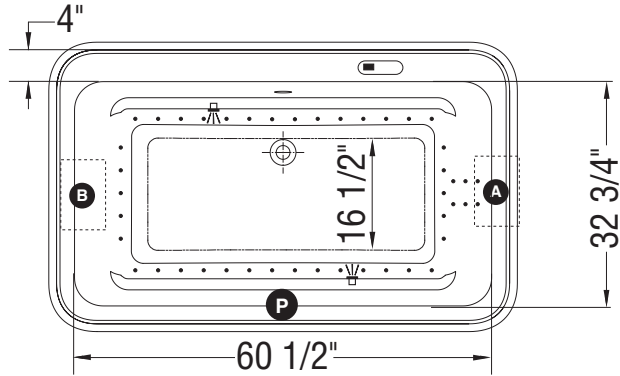


WHIRLPOOL SYSTEM



AIR SYSTEM



**Note: The backjets are always on opposite side of blower or pump.
In combined system, the backrest is on same side as remote blower.**

(A/B) : Specify blower and/or pump location when ordering

(P) : Indicates optional grab bar positioning

(▲) : Indicates whirlpool jets positioning

(△) : Indicates suction positioning

(•) : Indicates airjets positioning

(⚡) : Indicates chromatherapy light positioning

Bathtub base includes anti-vibration Neutra-Phone leg supports (not shown).

All dimensions are approximate. Structure measurements must be verified against the unit to ensure proper fit.