



Single hole lavatory open spout faucet
ASOP01XX



Specifications

Descriptions

- Push drain
- Ceramic cartridge
- 3/8" speedway compression

Available colors

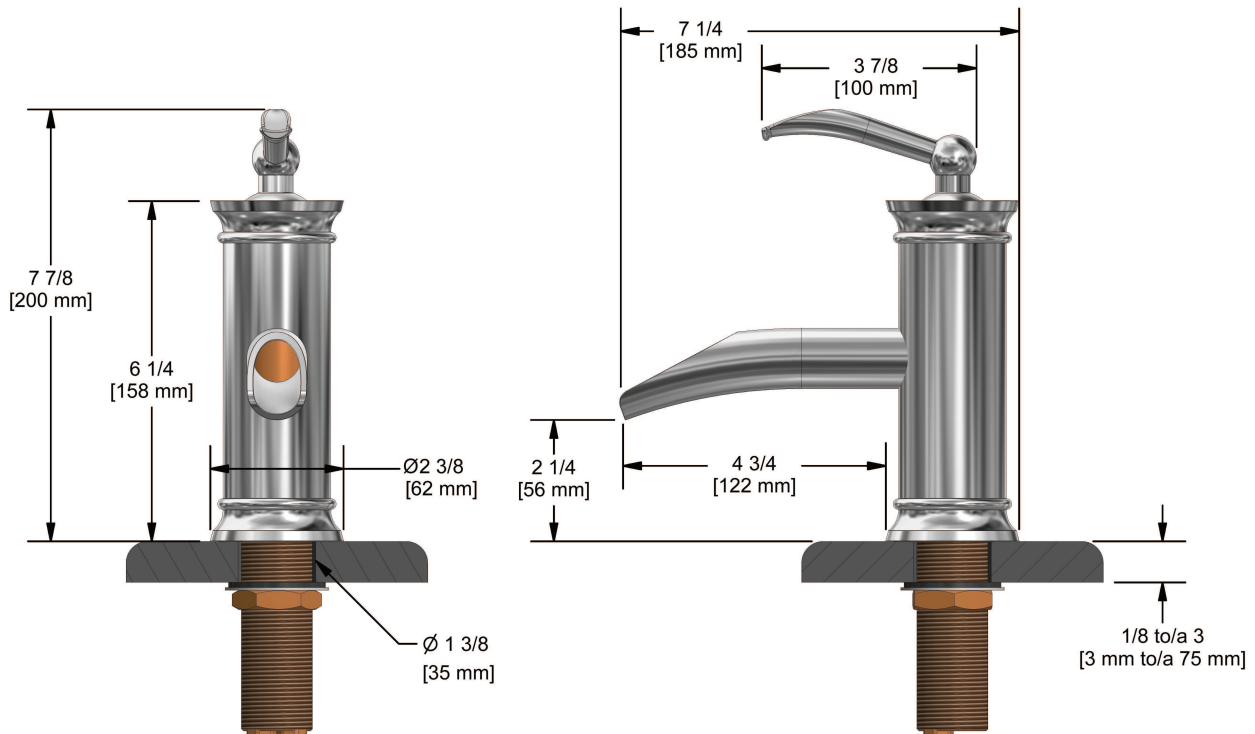
- C : Chrome
- BN : Brushed nickel (PVD)
- NT : Night brushed (PVD)
- PN : Polished nickel (PVD)

Available flows

- 5.7 L/min, 1.5 gpm (US) 60psi
- 3.7 L/min, 1 gpm (US) 60psi (**ASOP01XX-10**)

Certifications

- CSA B125.1
- NSF61
- ASME A112.18.1
- CMR248 Approval



Sizes, models and finishes may differ from those presented.

Warranty

The Riobel inc. product carries a limited LIFETIME warranty on the finish Chrome, Gold (PVD), Brushed nickel (PVD), Night brushed (PVD), Polished nickel (PVD) and all working parts and is guaranteed from the initial date of purchase against all manufacturing defects. Other finished 1 year.

Customer Service

Ontario, West Canada : 888-287-5354 Quebec, Maritimes, United States : 866-473-8442

2014.04.30