

ELKAY® SPECIFICATIONS

Lustertone® Hospitality Sinks and Sink Packages

GENERAL

Highest quality sink bowl seamlessly formed of #18 gauge, type 304 (18-8) nickel bearing stainless steel. Self-rimming.

DESIGN FEATURES

Bowl Depths: 6-1/8" [BLR(Q)1560 and LMR2013], 7-1/8" [all others].

Coved Corners: 1-3/4" vertical and horizontal radius. LMR2013 has 3" vertical and 1-3/4" horizontal radius.

Bowl and Faucet Deck Recess: 3/16" below outside edge of sink.

Finish: Exposed surfaces are hand blended to a lustrous highlighted satin finish.

Underside: Fully undercoated to dampen sound and prevent condensation.

These sinks comply with ANSI Standard A112.19.3M.

SINK PACKAGES

BLH15C Package includes:

- (1) **BLR15** Sink.
- (1) **LKA2438** Hi-Arc® two-handle bar faucet with 9" high (deck to aerator) contemporary swing spout.
- (1) **LK36** Small basket strainer for 2" drain outlets.

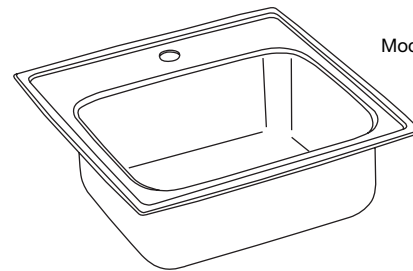
BLR150C Package includes:

- (1) **BLR15** Sink.
- (1) **LK2223** Deluxe two-handle bar faucet with 9-7/8" high (deck to aerator) traditional swing spout.
- (1) **LK36** Small basket strainer for 2" drain outlets.

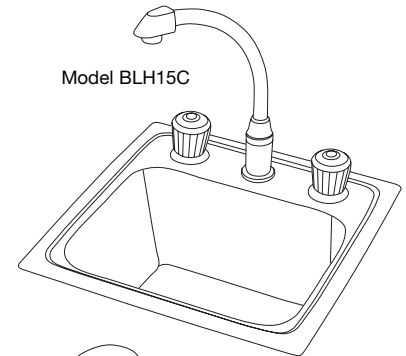
OTHER

Drain Openings: 3-1/2" [BLR(Q)1516 and LMR2013], 2" [all others].

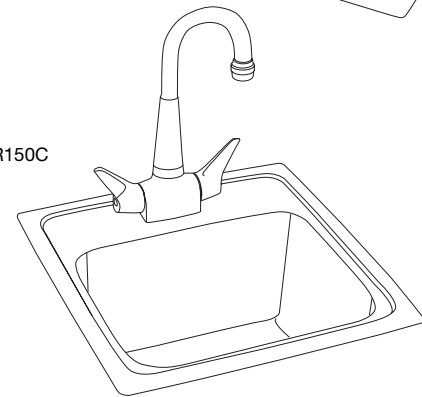
NOTE: Unless otherwise specified, sink is furnished with 1 faucet hole as shown.



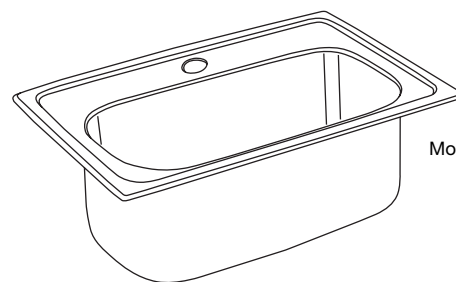
Model BLR(Q)151



Model BLH15C



Model BLR150C



Model LMR20131

SEE OTHER SIDE FOR PRODUCT DIMENSIONS.

ALL DIMENSIONS IN INCHES, TO CONVERT TO MILLIMETERS MULTIPLY BY 25.4.

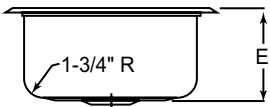
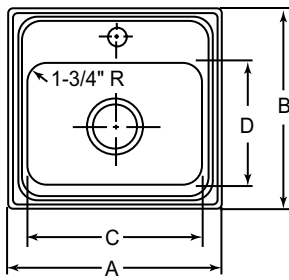
In keeping with our policy of continuing product improvement, Elkay reserves the right to change product specifications without notice.

This specification describes an Elkay product with design, quality and functional benefits to the user. When making a comparison of other producers' offerings, be certain these features are not overlooked.

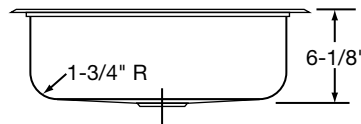
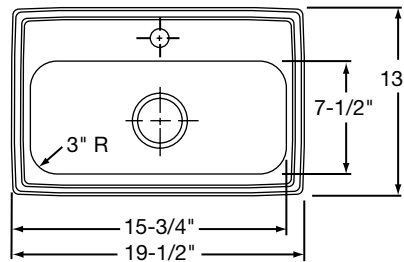
SINK DIMENSIONS (INCHES)*

U-Channel Model Number	Quick-Clip® Model Number	Overall		Inside Bowl			Cutout in Countertop (1 1/2" Radius Corners)		No. of Faucet Holes 4" Centers	Minimum Cabinet Size	Ship. Wt. Lbs.
		L	W	L	W	D	L	W			
		A	B	C	D	E	L	W			
BLH15C	-	15	15	12	9 1/4	7 1/8	14 3/8	14 3/8	3	18	11 1/2
BLR150C	-	15	15	12	9 1/4	7 1/8	14 3/8	14 3/8	1	18	12
BLR15	BLRQ15	15	15	12	9 1/4	7 1/8	14 3/8	14 3/8	1, 2, MR2 or 3	18	7
BLR1516	BLRQ1516	15	15	12	9 1/4	7 1/8	14 3/8	14 3/8	1, 2, MR2 or 3	18	7
BLR1560	BLRQ1560	15	15	12	9 1/4	6 1/8	14 3/8	14 3/8	1, 2, MR2 or 3	18	7
LMR2013	-	19 1/2	13	15 3/4	7 1/2	6 1/8	18 7/8	12 3/8	1, 2, MR2 or 3	24	8 1/2

*Length is left to right. Width is front to back.

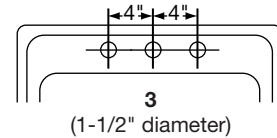
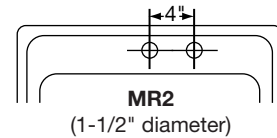
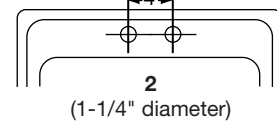
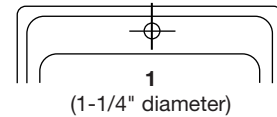


Model BLR151 Illustrated

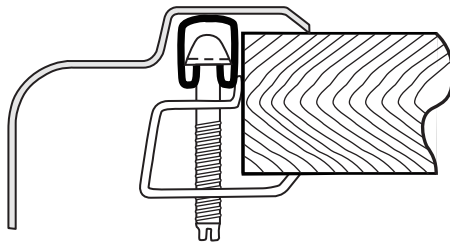


Model LMR20131 Illustrated

HOLE DRILLING CONFIGURATIONS



U-Channel Type Mounting System



Quick-Clip® Mounting System

