

JACOBEBAN

Wall-Mounted Lavatory Faucet 3-2461

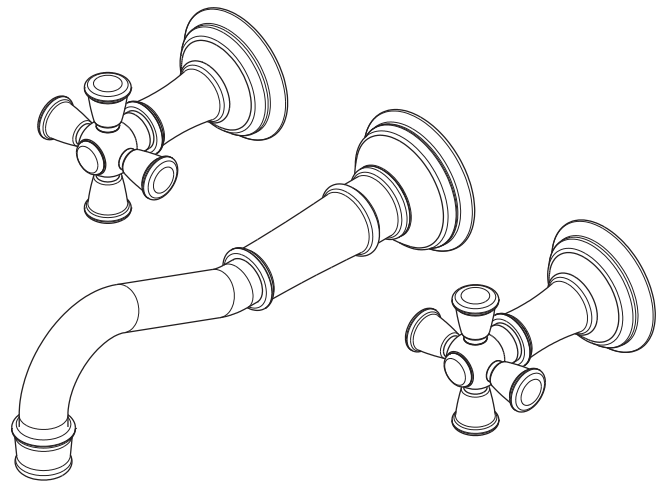
Features

- Solid brass construction
- ADA compliant traditional cross handles
- 8-3/16" (20.8 cm) spout reach (wall-to-center)
- 1/2" NPT spout inlet fitting
- Intended for use with Newport Brass rough valve as specified (Required Accessory)
- Rough valve incorporates a brass valve body assembly
- Rough valve incorporates quarter-turn washerless ceramic disc valve cartridges

Codes / Standards Compliance

Meets or exceeds the following at date of manufacture:

- ASME A112.18.1/CSA B125.1
- IAPMO/cUPC
- NSF 61
- IPC
- ADA
- ICC/ANSI A117.1
- Energy Policy Act of 1992
- All applicable US Federal and State material regulations
- EPA Watersense



Colors / Finishes

- 15: Polished Nickel
- 15S: Satin Nickel
- 26: Polished Chrome
- 10B: Oil Rubbed Bronze
- Other: Refer to the Newport Brass catalog for additional color/finish options.

Specified Model

| Model | Description | Colors / Finishes | | | | |
|--------|------------------------------|-----------------------------|------------------------------|-----------------------------|------------------------------|--------------------------------|
| 3-2461 | Wall-Mounted Lavatory Faucet | <input type="checkbox"/> 15 | <input type="checkbox"/> 15S | <input type="checkbox"/> 26 | <input type="checkbox"/> 10B | <input type="checkbox"/> Other |

Required Accessory:

Faucet, above, and Rough Valve, below, must both be specified.

| Application | Tub Only Valve* | Wall Lavatory Valve | Tub Only Valve* | Wall Lavatory Valve |
|-------------------|---------------------------------------|--------------------------------|---------------------------------------|--------------------------------|
| Description | 2-Cartridge Assembly with 16pt Spline | | 2-Cartridge Assembly with 20pt Spline | |
| Inlet/Outlet Size | 1/2" | 1/2" | 1/2" | 1/2" |
| Part Number | <input type="checkbox"/> 1-500 | <input type="checkbox"/> 1-532 | <input type="checkbox"/> 1-564 | <input type="checkbox"/> 1-560 |
| Image | | | | |

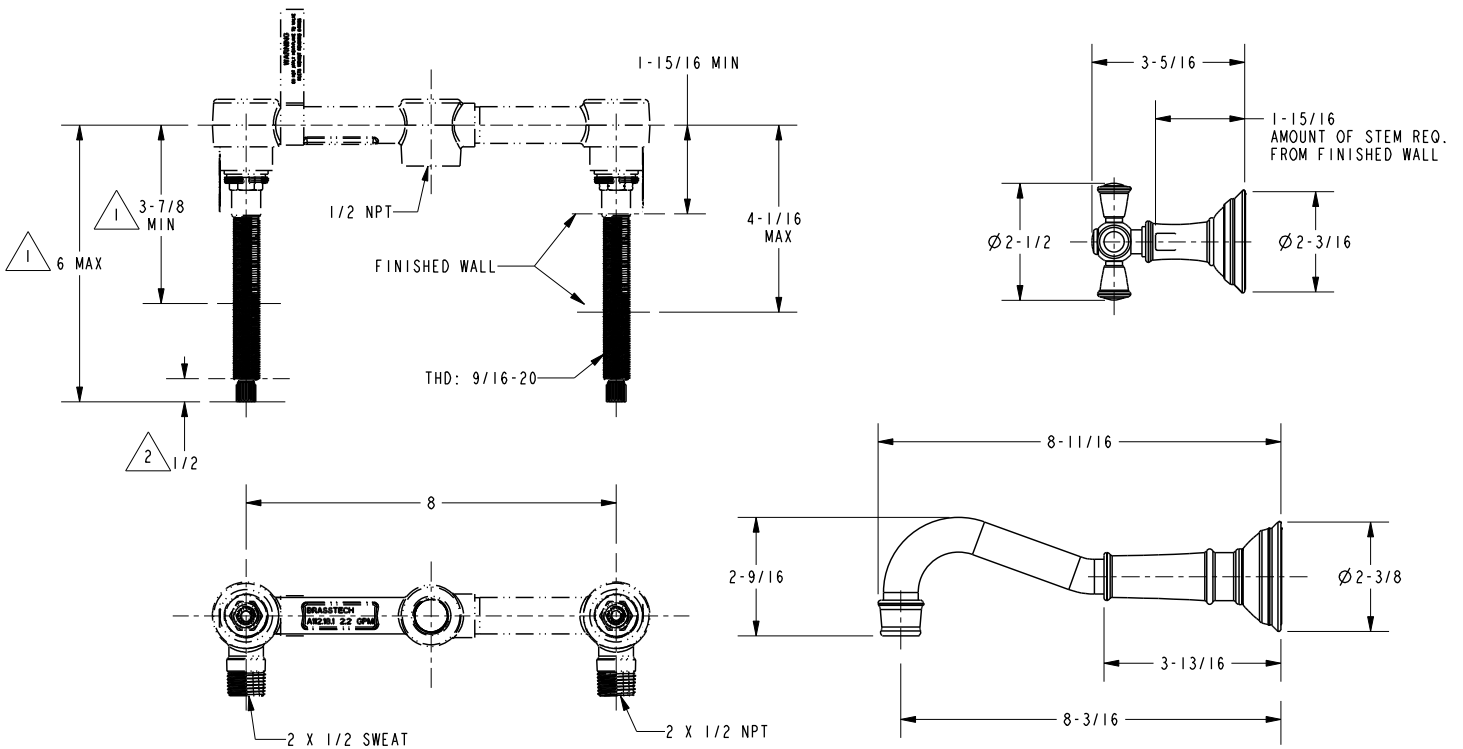
Product Specification:

Add "Color / Finish" suffix to model number, below.

The Wall-Mounted Lavatory Faucet shall be made of solid brass construction. Wall-Mounted Lavatory Faucet shall incorporate ADA compliant cross handles and a 8-3/16" (20.8 cm) spout (wall-to-center) that incorporates a 1/2" NPT inlet fitting. Wall-Mounted Lavatory Faucet shall be Newport Brass Model 3-2461/_____ and Newport Brass rough valve shall be 1-532.

3-2461

Product Dimensions (units are in inches)



NOTES:

- 1. CUT STEM TO DIMENSION SHOWN.
- 2. CUT ALL-THREAD 1/2" SHORTER THAN STEM.