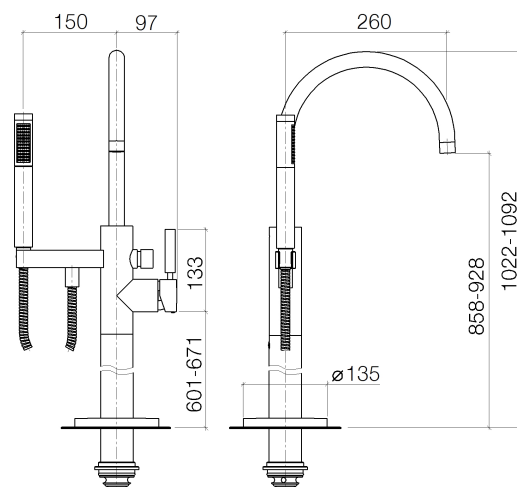




### Product specifications

- **10 1/4" projection**
  - Swivel spout 180°
  - M 22 x 1 aerator – female thread
  - Back flow preventer in shower outlet
  - xSTREAM ceramic disc cartridge
  - Diverter
  - Hand shower with descaling system and back flow preventer
  - 3/8" x 1/2" x 49 1/4" shower hose with rotating hose connector
  - Stand pipe with flange diameter 5 1/8"
  - Total height 40 1/8 – 42 7/8"
  - Lower body height 26 1/8 – 28 7/8"
  - Height to aerator/spout outlet 33 7/8 – 36 5/8"
  - Hand shower water flow rate limited to max. 2.38 gpm
- Internal backflow preventer.





**NOTE: Local building codes may require the use of an anti-scald device. Please refer to remote pressure balanced valve (35 910 970 90)**

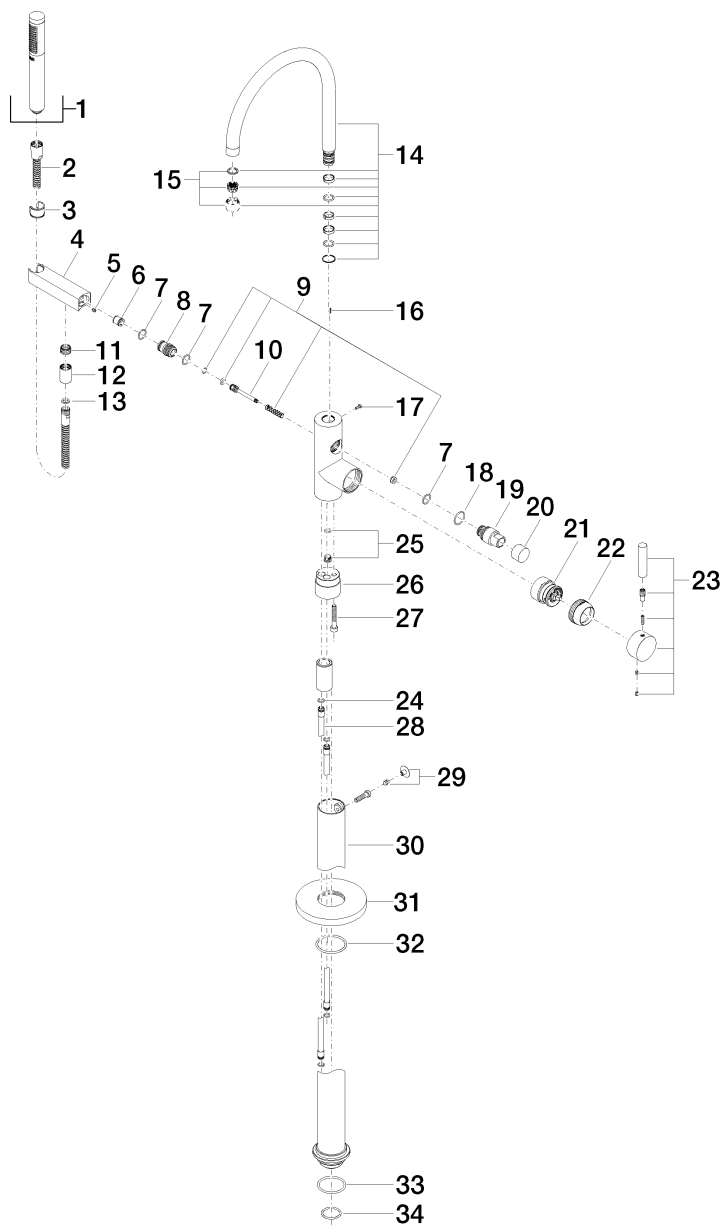
**Surfaces**

- |                 |             |
|-----------------|-------------|
| • chrome        | 25963885-00 |
| • chrome        | 25963885-00 |
| • matt platinum | 25963885-06 |
| • matt platinum | 25963885-06 |

**Accessories required**

- Rough for floor mounted spout/mixer; 35945970
- Rough for floor mounted spout/mixer; 35945970

**Exploded assembly drawing**



**Order quantity**

<b>No.</b>	<b>Article number</b>	<b>Name</b>	<b>Installation quantity</b>
1	28010979ff	shower	1
2	093002072ff	hose	1
3	09184003590	sleeve	1
4	091720027ff	holder	1
5	09311105890	pin	1
6	09230104090	back-flow preventer	1
7	09141001090	seal	3
8	092403153ff	nipple	1
9	9016020230090	spring	1
10	093109102ff	pull-rod	1
11	092403069ff	nipple	1
12	092102069ff	cover	1
13	09142002690	seal	1
14	90282220001ff	spout	1
15	90230102400ff	aerator	1
16	09311106190	pin	1
17	09303005490	screw	1
18	09141011290	seal	1
19	092134081ff	nipple	1
20	092088002ff	handle	1
21	09150505090	cartridge	1
22	092404148ff	nut	1
23	90208804400ff	handle	1
24	09141013990	seal	5
25	0931200391090	plug	1
26	09303011190	screw	1
27	092403152ff	adaptor	1
28	0428220250090	connection	2
29	0431200340090	plug	1



---

<b>30</b>	04282203000ff	pipe	1
<b>31</b>	092788007ff	rosette	1
<b>32</b>	09141012990	seal	1
<b>33</b>	09141008490	seal	1
<b>34</b>	09141001890	seal	1

---

