

**FEATURES:**

This product meets and exceeds the following codes and standards

- Meets: ASME A112.18.1-2005/CSAB125.1-2005
- Replacement Cartridge: No. 18.30.011

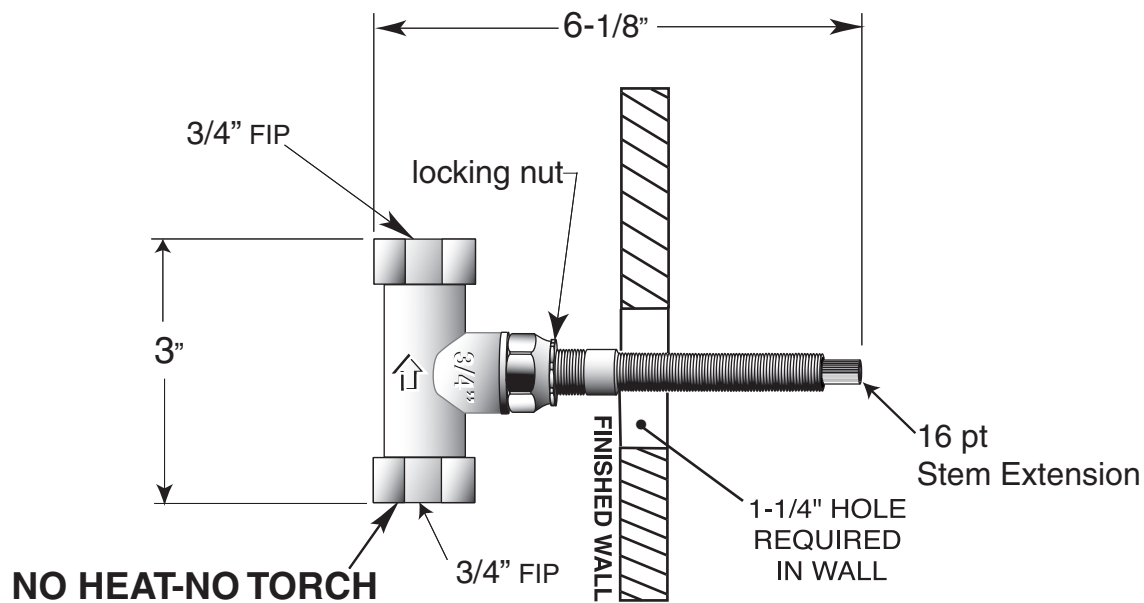
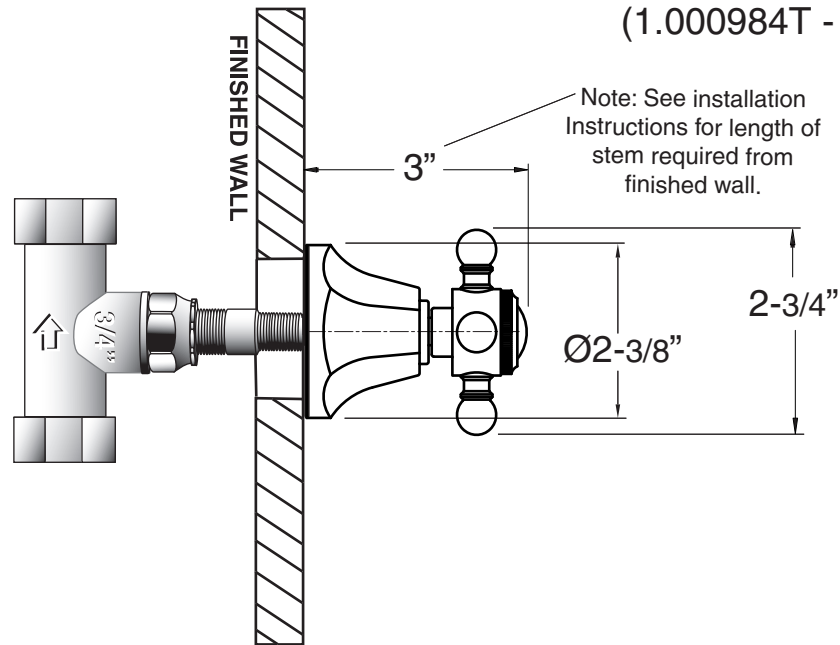
**3/4" In-Line Shut-Off**

Valve & Trim

1.000984

Salem Handle

(1.000984T - Trim Only)



Note: Measurements are subject to change or cancellation. No responsibility is assumed for use of superseded or voided pages.