



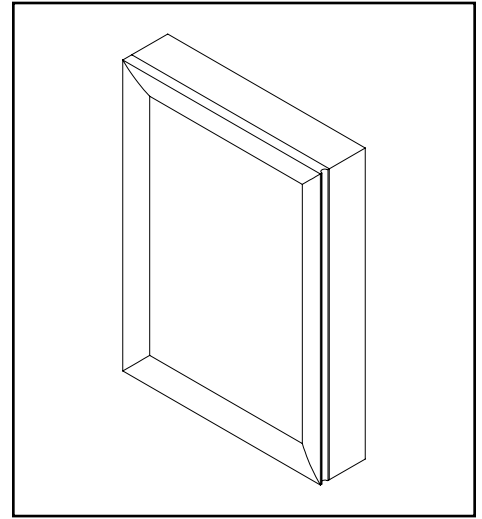
PRODUCT DESCRIPTION

9725 Series 22" Medicine Cabinet

- Available in Cherry (CW) Finish
- Solid Wood Frame
- Surface Mounted
- Reversible Door
- Three Adjustable Tempered Glass Shelves
- Mirrored Interior

PRODUCT MEASUREMENTS

- Width: 22"
- Depth: 5"
- Height: 30"



RECOMMENDED ACCESSORIES

- 5645-CW Vanity Set

ROUGHING-IN DIMENSIONS

Please Note: All drawings contain the necessary measurements which are subject to standard industry tolerances. They are stated in inches and are non-binding. Exact measurements, in particular for customized installation scenarios, can only be taken from the finished product.

☒ = Center Line

