

SPECIFICATIONS

SHERIDAN™ TWO HANDLE BAR & CONVENIENCE FAUCET

Model

D153555 (Replaces D153055 series)

Description

- Ceramic disc valve
- 11" high swivel spout, 5 ¼" spout length
- 2 hole mount

Standards



- NSF 61-9
- Energy Policy Act of 1992



- ASME A112.18.1M/A112.18.1
- NSF/ANSI 372
- CSA B125.1

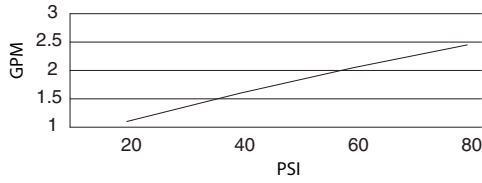


- ADA Accessibility Guidelines for Buildings and Facilities - 4.27.4 Controls and Mechanisms

Warranty

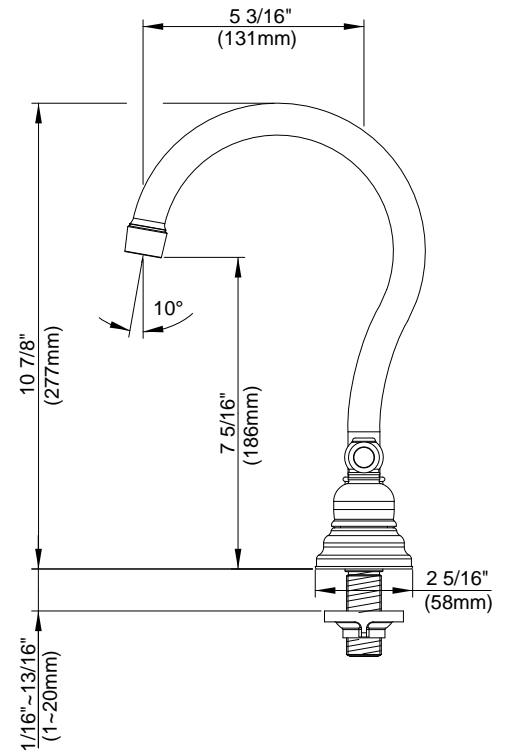
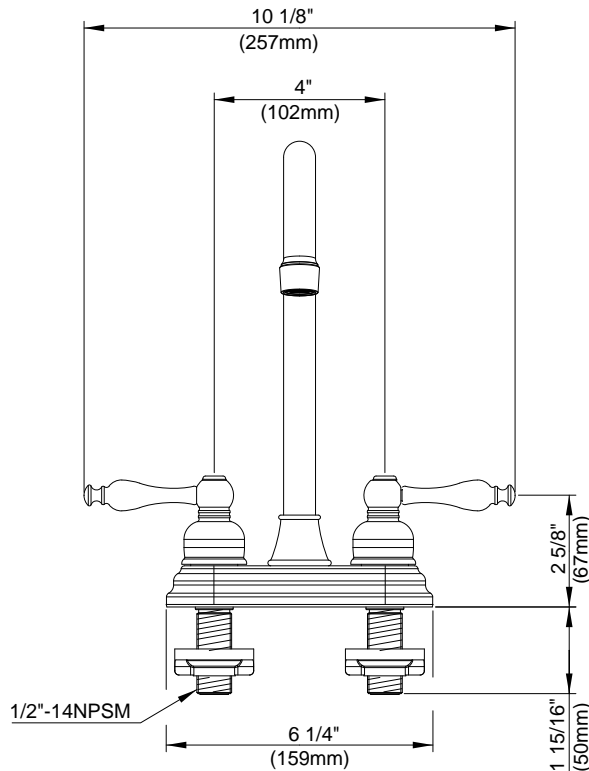
Danze products are covered by a manufacturer's limited "lifetime" warranty for manufacturing defects.

Flow Rate



Finishes Available

- Chrome
- Other: Refer to Price List for additional finish



Submittal Information:

Job Name: _____
 Contractor: _____

Location: _____
 Contact #: _____