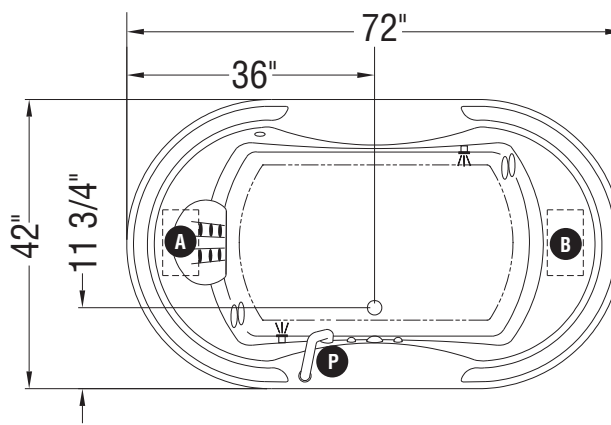
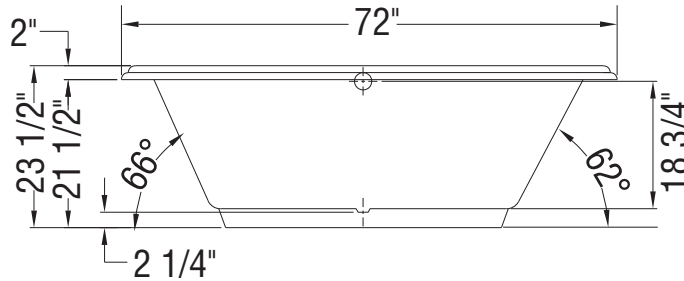
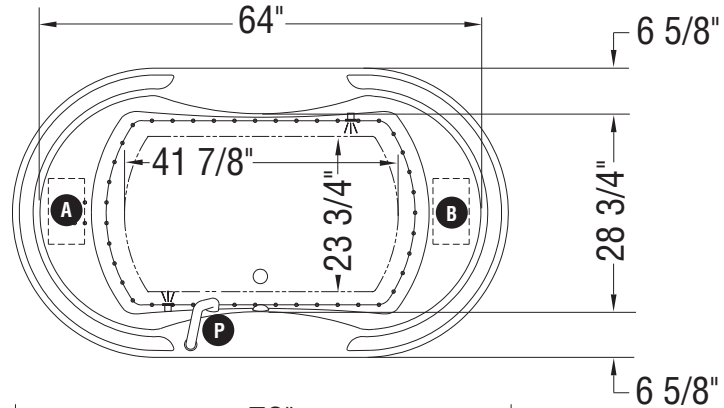


WHIRLPOOL SYSTEM



AIR SYSTEM



Note: Air backjets on same side as blower

- (P) : Indicates optional hand rail positioning
 - (O) : Indicates air control positioning
 - (O) : Indicates overflow positioning
 - (O) : Indicates whirlpool jets positioning
 - (•) : Indicates airjets positioning
 - (●) : Indicates backjets positioning
 - (W) : Indicates chromatherapy light positioning
- Bathtub base includes anti-vibration Neutra-Phone leg supports (not shown).

(A) : Specify blower and/or pump location when ordering
 (B)

All dimensions are approximate. Structure measurements must be verified against the unit to ensure proper fit.