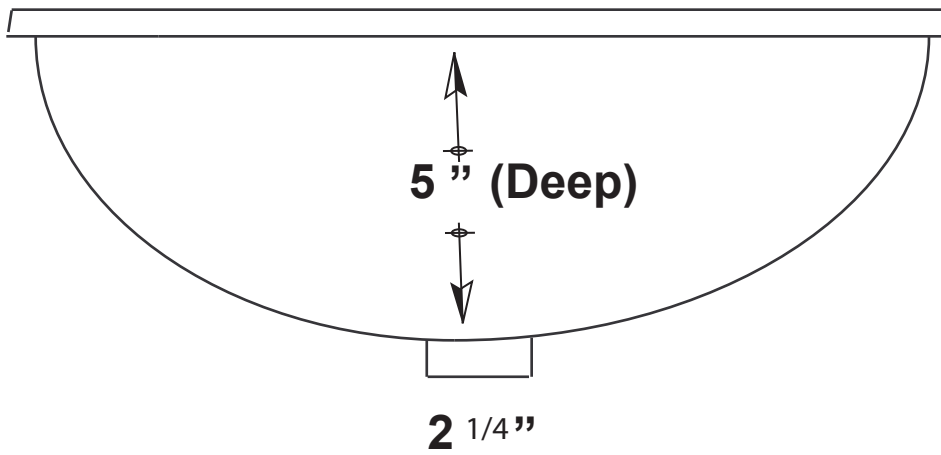
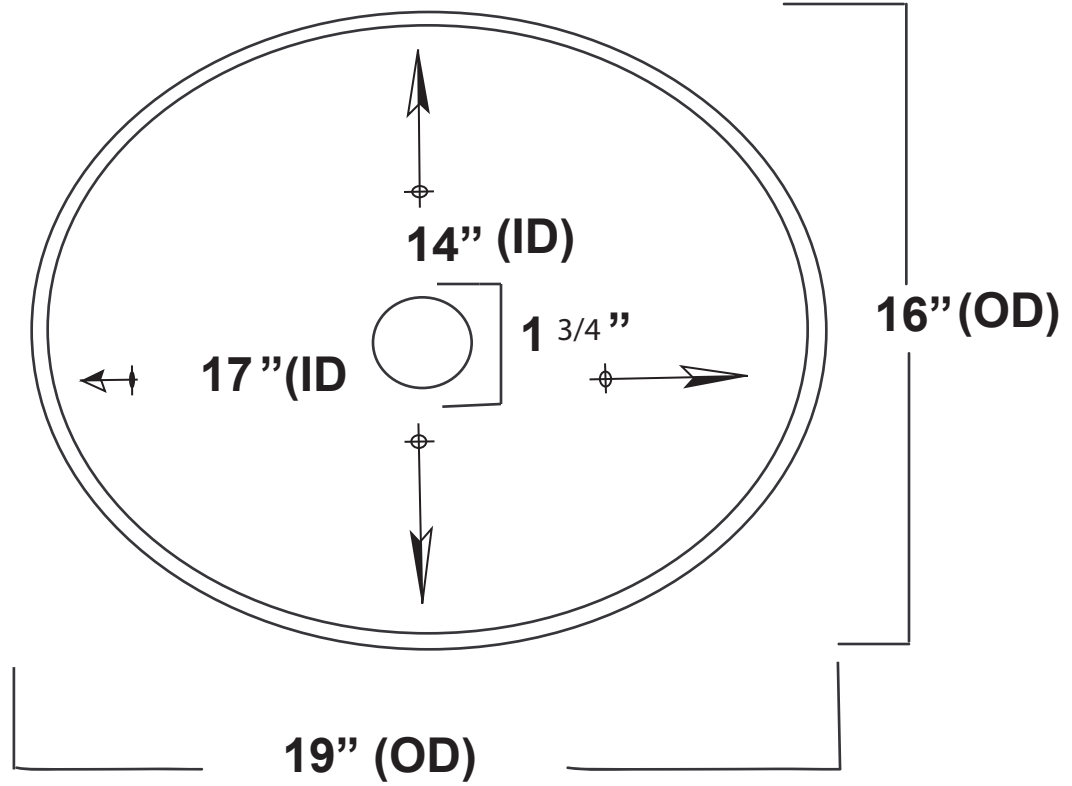


# Elite Bath

## Oval 19 Model #KOS19 Specifications Sheet



**34 lbs.**