

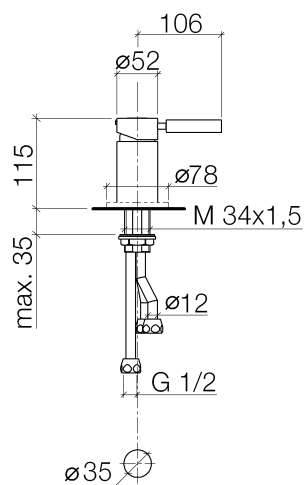


Product specifications

- Sleeve for cartridge screw
- 1x 1/2" copper pipe, 6 3/4"
- xSTREAM ceramic disc cartridge
- Mud guard
- 3x compression connection 1/2" x 1/2"
- 1 3/8" hole diameter
- 2x 1/2" copper pipe (cold/hot), 3 7/8"

Optional flange included

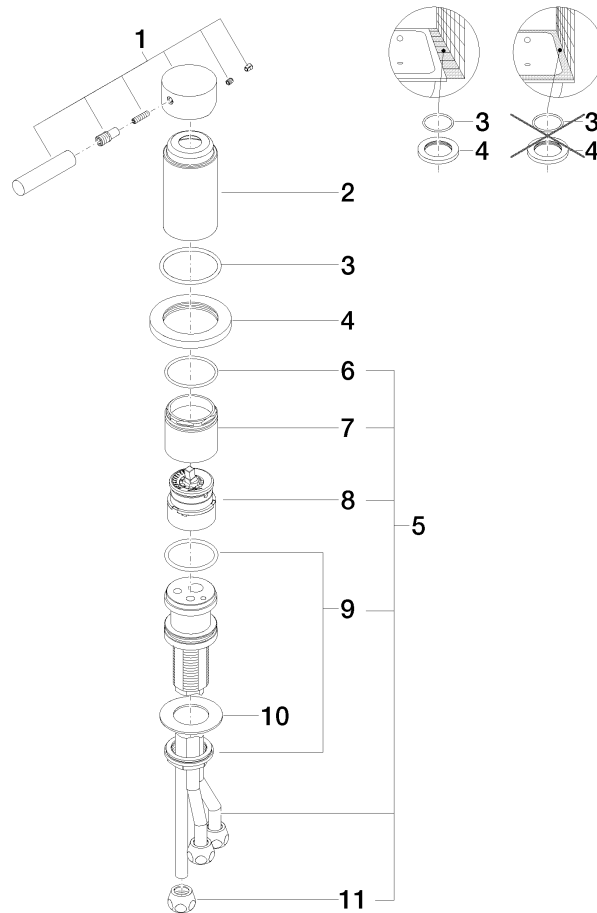
[ADA]



Surfaces

- | | |
|-----------------|-------------|
| • chrome | 29200885-00 |
| • chrome | 29200885-00 |
| • matt platinum | 29200885-06 |
| • matt platinum | 29200885-06 |

Exploded assembly drawing



Order quantity

No.	Article number	Name	Installation quantity
1	90208804400ff	handle	1
2	091102113ff	cover	1
3	09141012990	seal	1
4	092762002ff	rosette	1
5	0415050509890	cartridge	1
6	09141004990	seal	1
7	09170103390	base	1
8	09150505090	cartridge	1
9	0423100410090	fixing set	1
10	09301106090	disc	1
11	0423300410090	threaded connector	3

