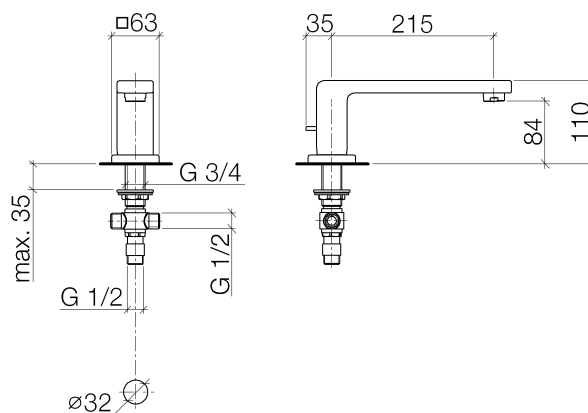


Product specifications

- **8 1/2" projection**

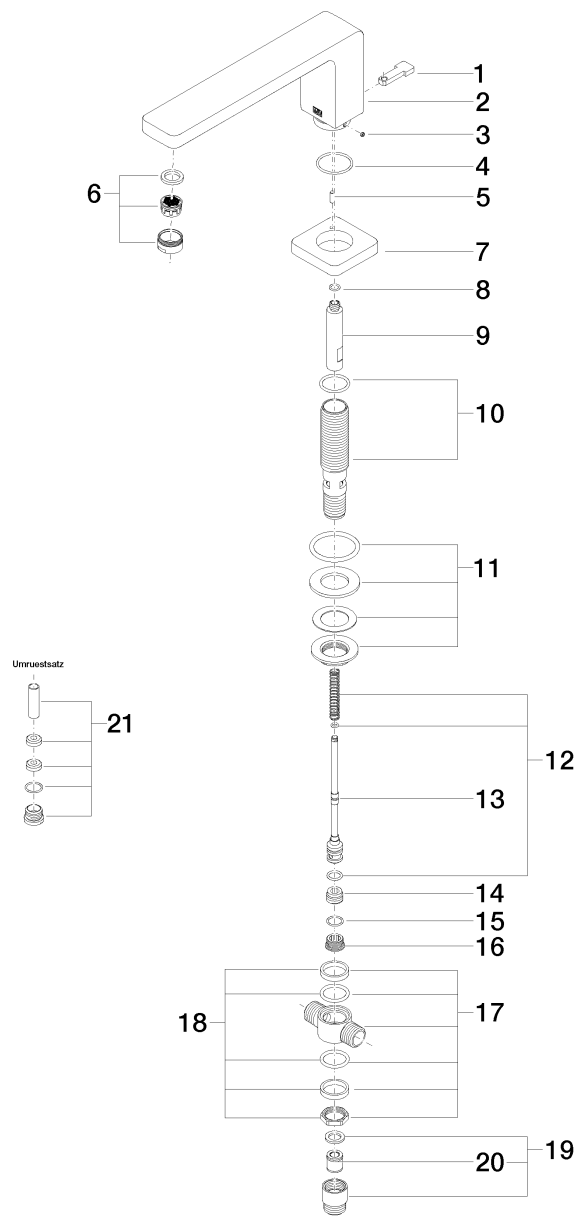
- Fixed spout
- M 24 x 1 aerator – male thread
- Back flow preventer in shower outlet
- Automatic diverter
- Total height 4 3/8"
- Height to aerator/spout outlet 3 3/8"
- 1 1/4" hole diameter
- Flange 2 1/2 x 2 1/2"
- Deck mounted
- Diverter deactivation kit included



Surfaces

- | | |
|-----------------|-------------|
| • chrome | 13512710-00 |
| • chrome | 13512710-00 |
| • matt platinum | 13512710-06 |
| • matt platinum | 13512710-06 |

Exploded assembly drawing



Order quantity

No.	Article number	Name	Installation quantity
1	092071032ff	handle	1
2	091171041ff	spout	1
3	09311105590	pin	1
4	09141004090	seal	1
5	09311104090	pin	1
6	90230111800ff	aerator	1
7	092771010ff	rosette	1
8	09141006190	seal	1
9	09184007190	sleeve	1
10	9030010330090	base	1
11	0423100040390	fixing set	1
12	9016020040090	spring	1
13	04310901200ff	pull-rod	1
14	09240402090	nipple	1
15	09141002190	seal	1
16	09240408190	nipple	1
17	0417110201090	distributor	1
18	9023100120090	gasket kit	1
19	0424030240190	nipple	1
20	09230104090	back-flow preventer	1
21	9028220100090	conversion kit	1