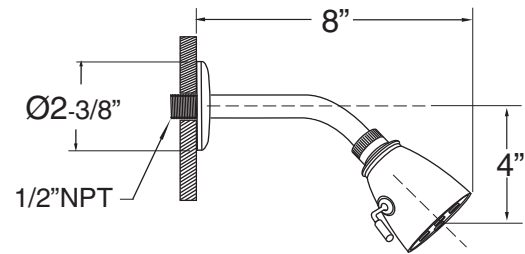
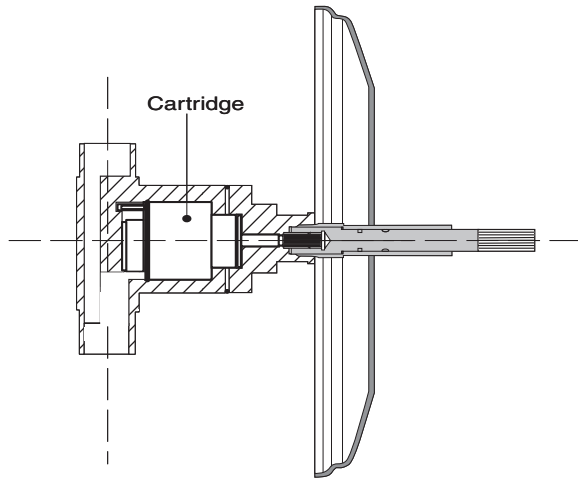


Features:

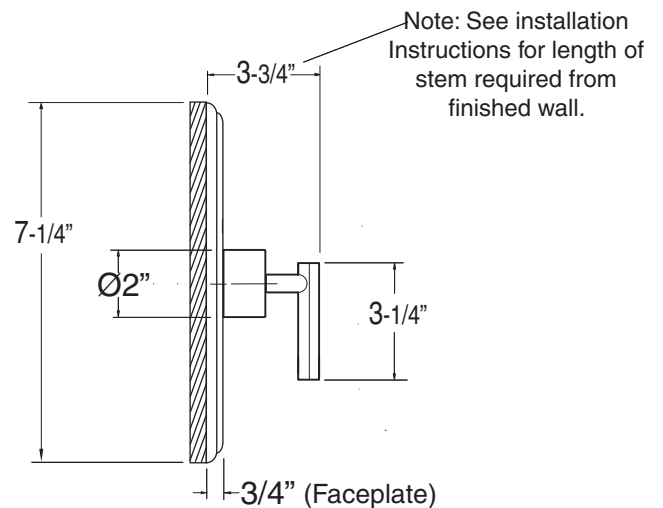
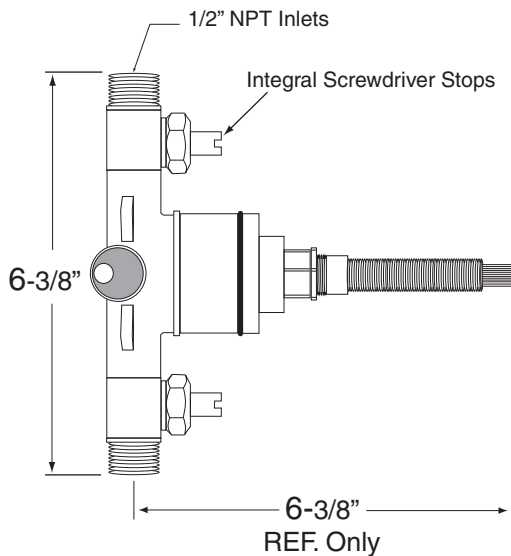
- Forged brass construction
- Ceramic disk valve cartridge 18.30.865
- Adjustable hot limit safety stop
- Reversible cartridge
- 5.6 GPM @ 45 PSI
- Meets: ASME A112.18.1-2005/CSAB125.1-2005

Pressure Balance Shower Set  
1.002264  
(1.002264T Trim Only)

Cutaway View

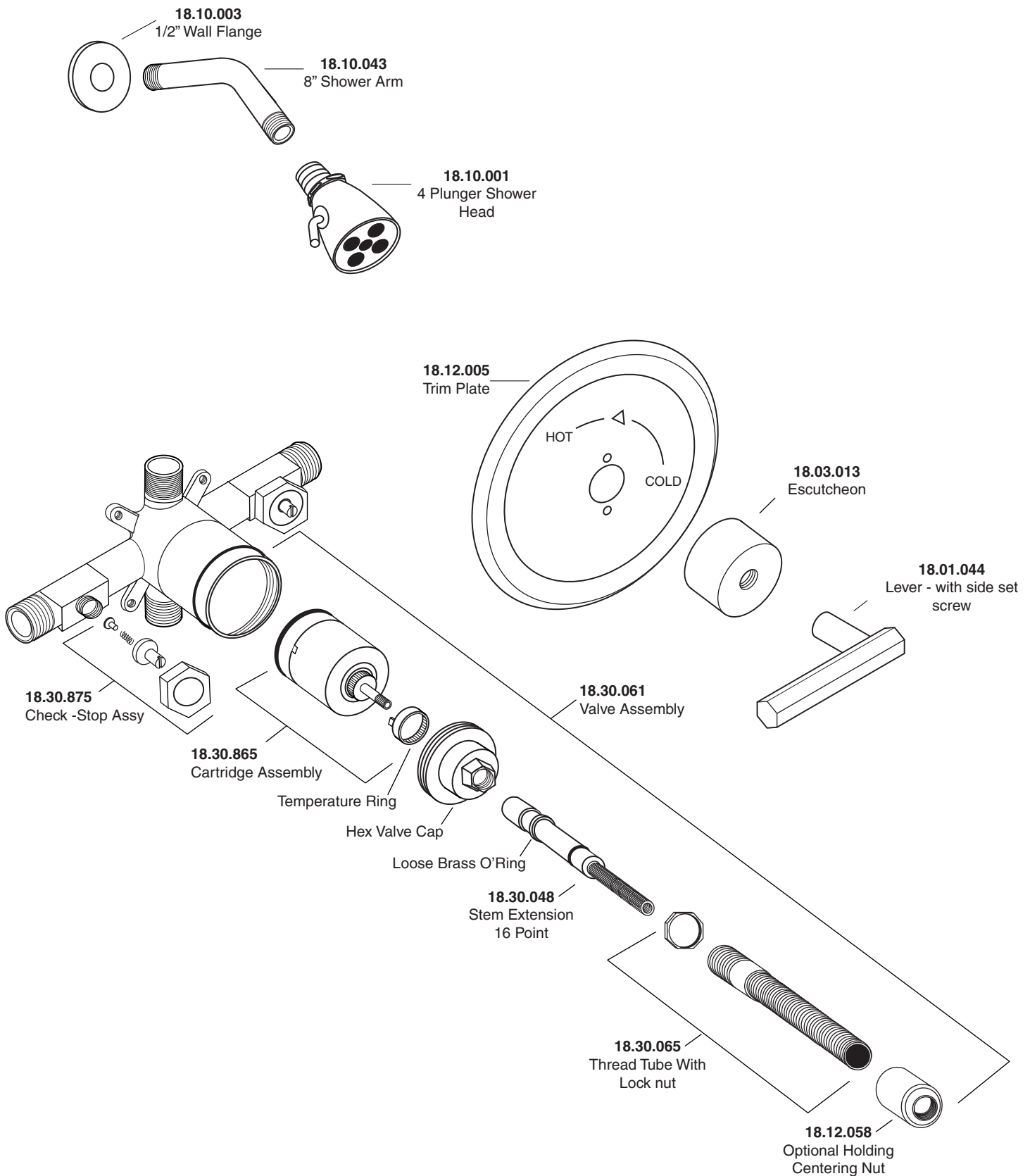


Top View



Note: Measurements are subject to change or cancellation. No responsibility is assumed for use of superseded or voided pages.

Parts List  
**Verona**  
Pressure Balance Shower Set



American Faucet & Coatings Corporation.

Tel: 760-598-5895, Toll Free Fax 800-621-8383, customerservice@sigmafaucet.com