



Specifications

¾" double coaxial thermostatic pressure balance valve
FM83XX



Descriptions

- ¾" male inlet NPT
- 4 outlets : 2 outlets ½" males NPT and 2 outlets ¾" males NPT or ½" females NPT
- 2 coaxial thermostatic/pressure balanced cartridge with check valves
- 2 different temperatures
- 2 integrated volume controls

Available colors

- C : Chrome
- BN : Brushed nickel (PVD)

Flows

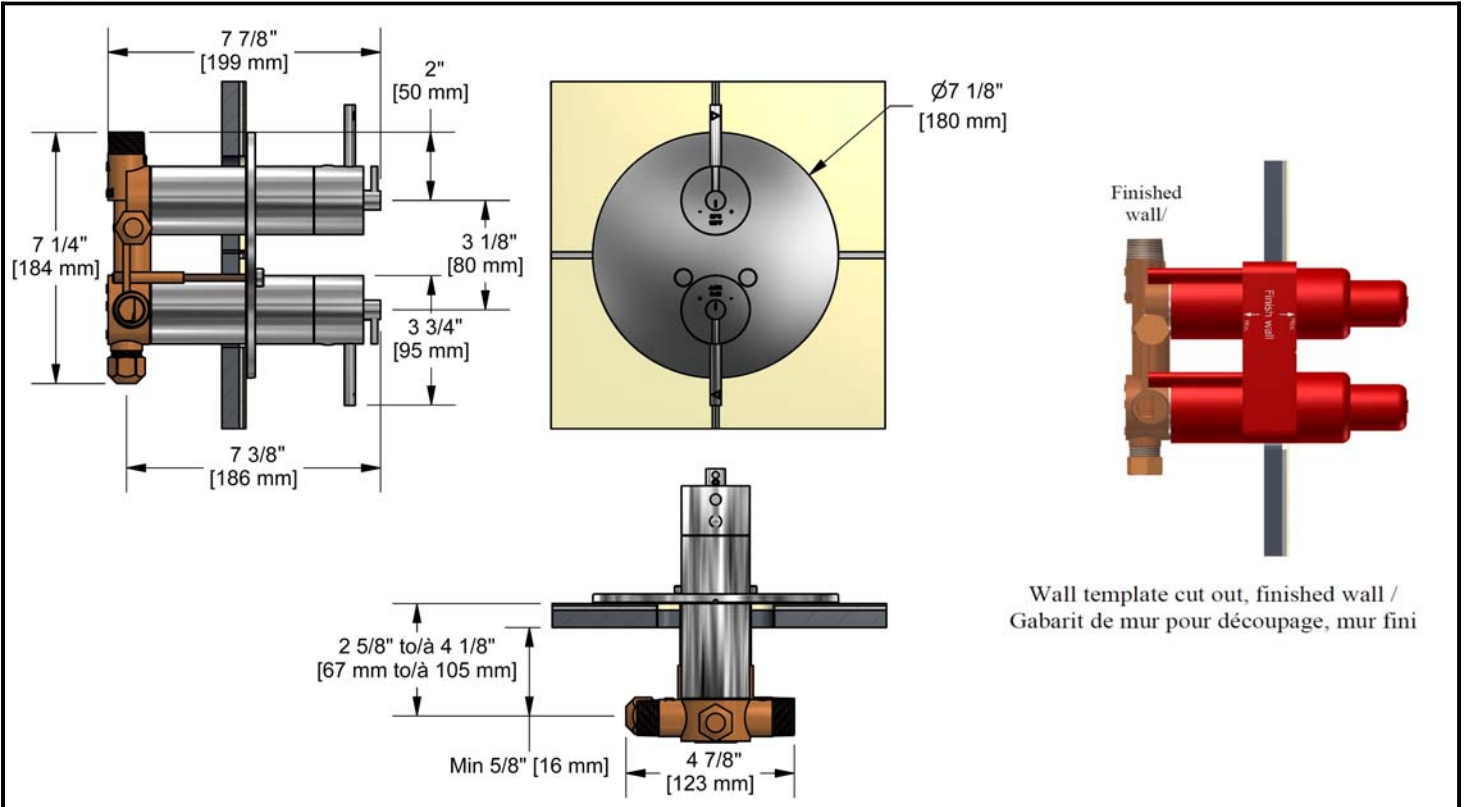
- Flow 69.8 L/min, 18.4 gpm (US) 60psi

Cartridges

- 0943

Certifications

- CSA B125.1
- ASME A112.18.1
- ASSE 1016



Sizes, models and finishes may differ from those presented.

Warranty

The Riobel inc. product carries a limited LIFETIME warranty on the finish Chrome, Gold (PVD), Brushed nickel (PVD), Night brushed (PVD), Polished nickel (PVD) and all working parts and is guaranteed from the initial date of purchase against all manufacturing defects. Other finished 1 year.

Customer service

Ontario, West Canada : 888-287-5354 Quebec, Maritimes, United States : 866-473-8442