

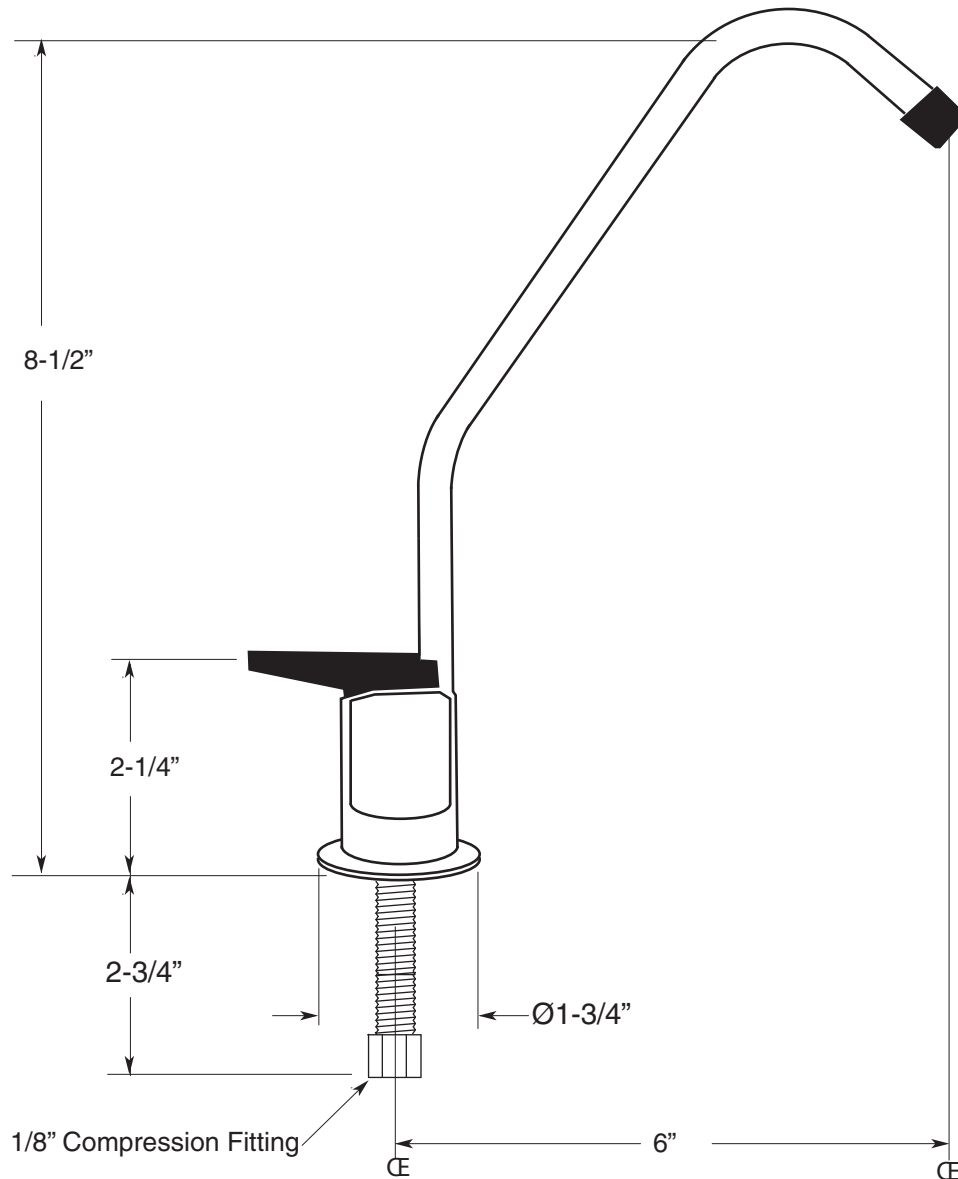
FEATURES:

- All brass construction
- Available in all Sigma finishes
- Maximum deck thickness: 2"
- 1/2" - 1" mounting hole required
- Meets: ASME A112.18.1-2005/CSAB125.1-2005

Water Dispenser - Tall

APS.37.008

Cold Water Only



Note: Measurements are subject to change or cancellation. No responsibility is assumed for use of superseded or voided pages.