

# Fold

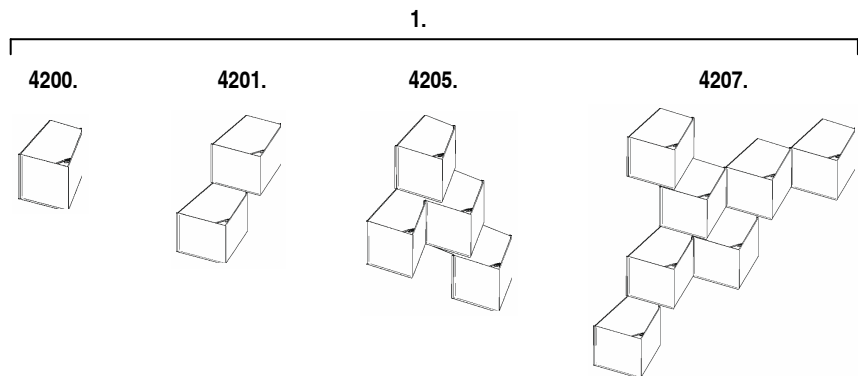
Design by Arik Levy

**VIBIA**<sup>®</sup>  
LIGHTING THAT MAKES SENSE

## ASSEMBLY INSTRUCTIONS

**CAUTION : TO AVOID POSSIBLE ELECTRICAL SHOCK, MAKE CERTAIN ELECTRICITY IS SHUT OFF AT MAIN PANEL BEFORE WIRING**  
All wiring must be in accordance with national and local electrical codes. If you are not familiar with wiring, you should use a qualified electrician.

## SUPPLIED MATERIAL



	4200	4201	4205	4207
<b>1</b> Lamp structure / Estructura luminaria / Leuchten-Struktur	1 un.	1 un.	1 un.	1 un.

## TECHNICAL SPECIFICATIONS

4200. Net Weight 0,80 Kg	2 x LED 3W 700mA	
4201. Net Weight 1,60 Kg	4 x LED 3W 700mA	
4205. Net Weight 3,20 Kg	8 x LED 3W 700mA	
4206. Net Weight 3,20 Kg	8 x LED 3W 700mA	

Class I. Product with an additional protection cable (grounds).

Product protected against solid object as big as or bigger than 12 mm. No protection against water.

Product that CAN be in contact with normally-flammable materials (wood or others).

### Caution

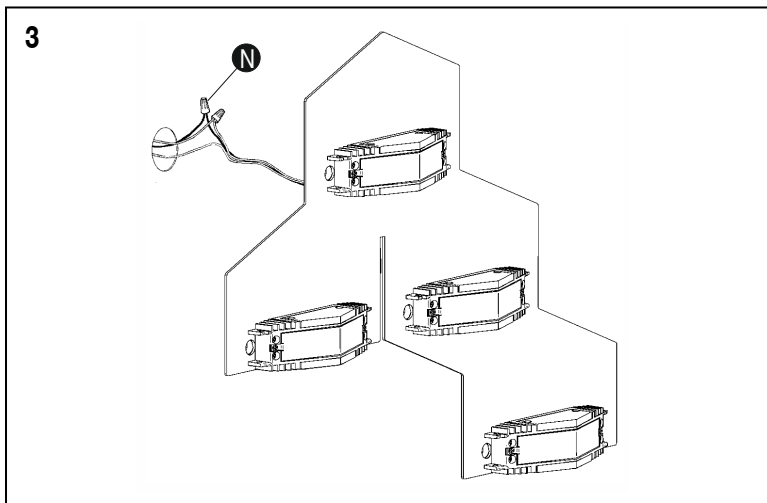
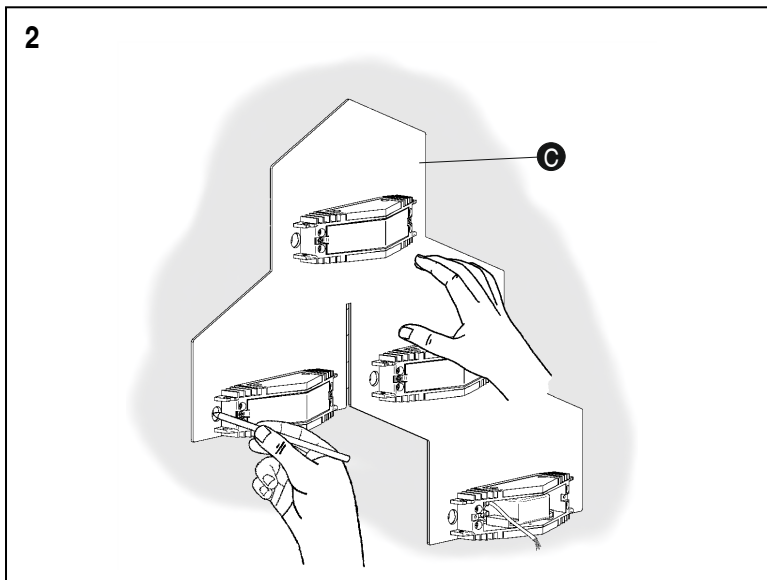
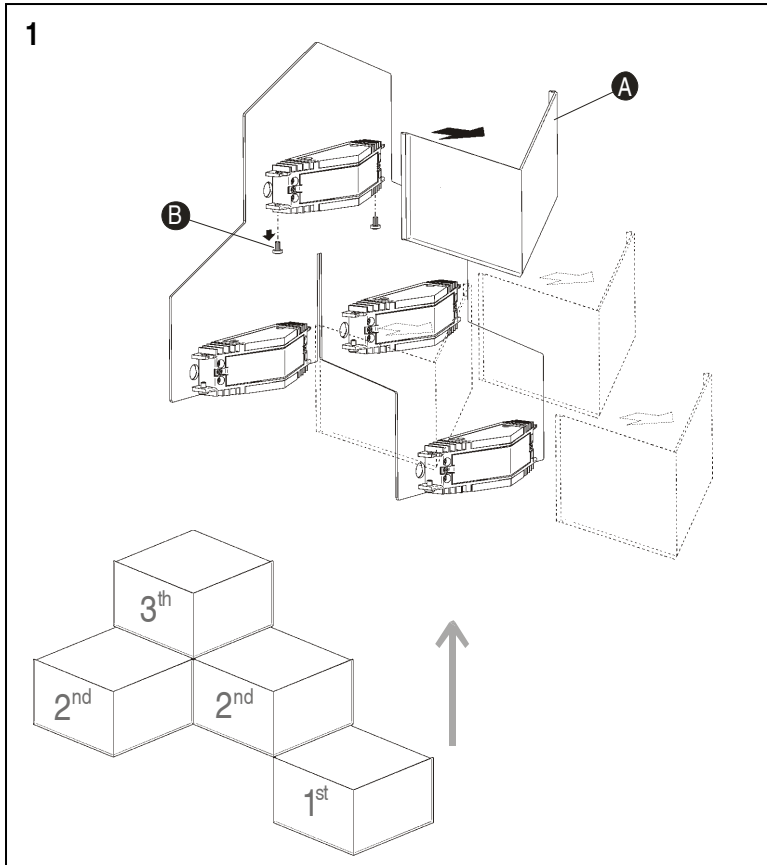
**Before assembling and installing this product, carefully read the following:**

- Switch of the mains before installing the lamp.
- To install on the wall, always choose the most adequate fixing tools for the ceiling material.
- This lamp is for indoor use only, excluding bathrooms or any type of humid surface.
- We recommend reading the manual before installing the lamp. Keep this instructions for future reference.

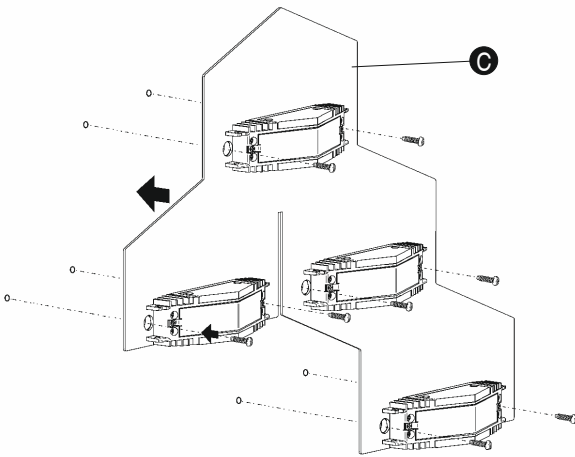
## IMPORTANT NOTICE:

**Caution: to avoid possible electrical shock, make certain electricity is shut off at main panel before wiring**

1. Remove the front plates (A) unscrewing the two screws (B) that fix each one. Disassemble them level by level, as indicated by the arrow, starting with the lower ones and moving upwards.
2. Place the plate (C) on the wall and mark the joining points and remove the plate.
3. Connect the white fixture wire to the white wire of the supply circuit. Connect the black fixture wire to the black wire of the supply circuit. Secure with the wire nuts (N) and tape connections with electrical tape. Push the connections and all excess wire to the interior of the junction box.



4

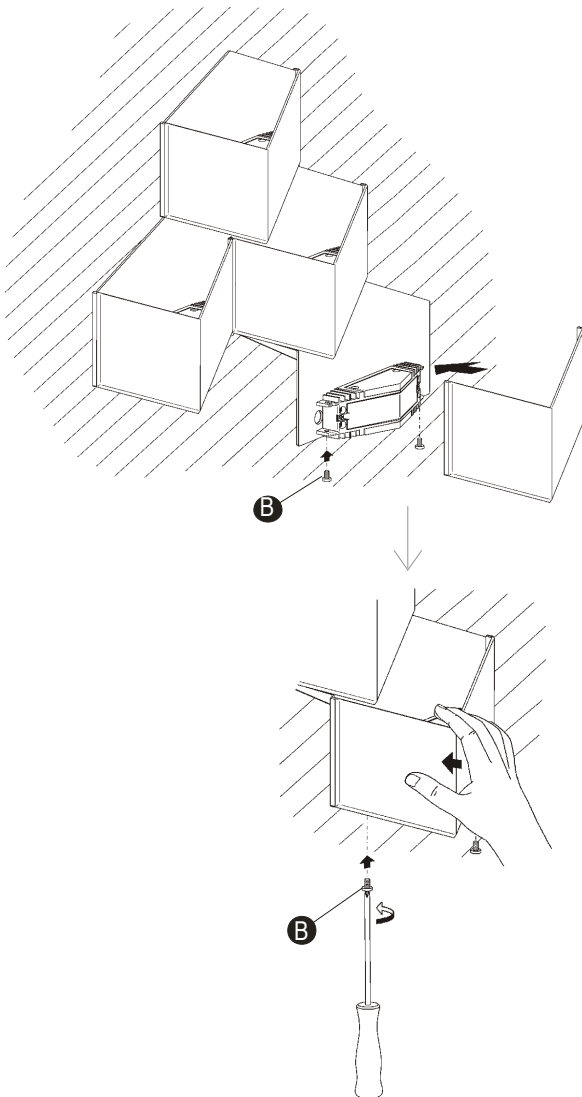


4. After drilling the holes in the points marked in the previous step 2, attach the plate (C) to the wall using the most suitable screws (not supplied).

5. Finally, mount the front plates in reverse order to step 1. Mount the top level first and move downwards.

NB: To facilitate placement of the screws (B), it is recommended pressing lighting on each front plate and screwing in the two screws without tightening them. When both screws are in place, they can be tightened fully.

5



### Maintenance

-Use a slightly-wet cotton cloth for cleaning.

-In case of malfunction or damage, please contact the retailer who sold the lamp.