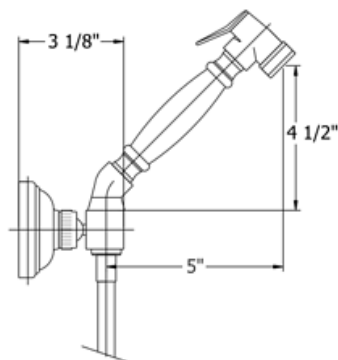
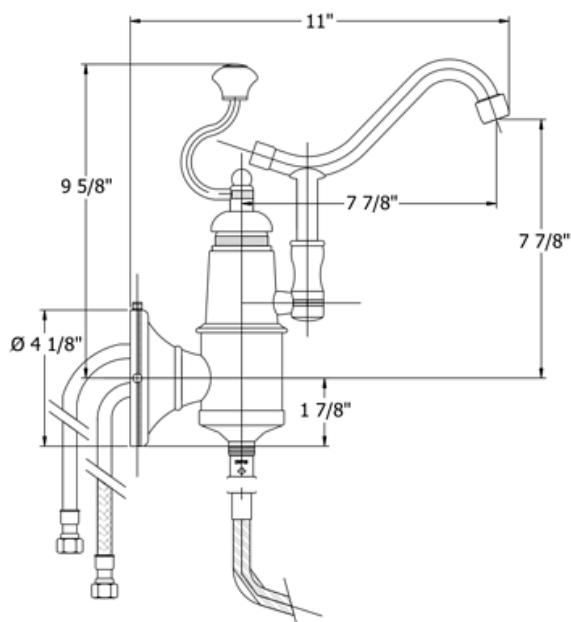


4108 - 'De Dion' Single Lever Mixer Wall Mounted With Spray



Part	Description
21	Aerator Washer
22	Aerator Filter
23	Aerator Cover
24	Upper Escutcheon Ring
29	30" X 3/8" Flexible Supply Hoses
30	Threaded Stem
34	Rubber O-Rings
37	Back Flow Preventer Coupler
37'	Coupler
54	Hand Spray Elbow
55	Rubber O-Ring
56	Hand Spray Couplers
57	Wood Or Porcelain Handle
58	Threaded Stem
62	Hand Spray Head Assembly
63	Aerator Nut
64	4 Piece Grill Kit
67	Aerator Screw
71	Finished Nuts
72	Threaded Stem
73	Mounting Plate
74	Body With Wall Escutcheon
75	Hand Spray Outlet Dome
76	Dome
77	Fiber Washer
78	Hand Spray Hose
79	Mounting Screw Kit
80	Wall Mount Plate
81	Escutcheon Mount Screws
82	Coil For Wall Support Disc
83	Disc
85	Hand Spray Wall Mount Elbow
91	De Dion Wall Mount Handle Set
92	Complete Hand Spray Set

Technical Information

- Flow Rate Is 2.2 GPM
- Ceramic Cartridge
- For Complete De Dion Handle Set, Please Order Part# 95013163XX (63=WOOD HANDLE, XX-FINISH CODE) OR 95013120XX (20-CERAMIC HANDLE, XX=FINISH CODE)
- For Complete Hand Spray And Hose, Order Part #450863XX OR 450820XX
- For Complete Hand Spray Wall Bracket, Order Part# 3262XX
- 30" X 3/8" Flexible Supply Hoses
- Available Finishes Are Polished Brass(55), Polished Nickel(56), Brushed Nickel(57), Polished Copper & Brass(58), Weathered Copper & Brass(59) and Satin Nickel(60)
- Please see cleaning instructions for finish care and maintenance information.
Faucet Ships With Wood Handles (63), Specify (20) For Ceramic Handles

Part#	Description
01	Ceramic Insert
02	Decorative Finished Nut
03	Threaded Stem
04	Wood Or Porcelain Knob
05	Finished Metal Sleeve
07	Round Screw
07'	Star Washer
10	Cartridge Holding Nut
11	Ceramic Cartridge
12	Upper Body
12'	Diverter Access Screw
13	Diverter
15	Rubber O-ring
16	Spout Elbow
17	Swan Nut
18	Spout O-Ring
19	Nylon Clip
20	Spout

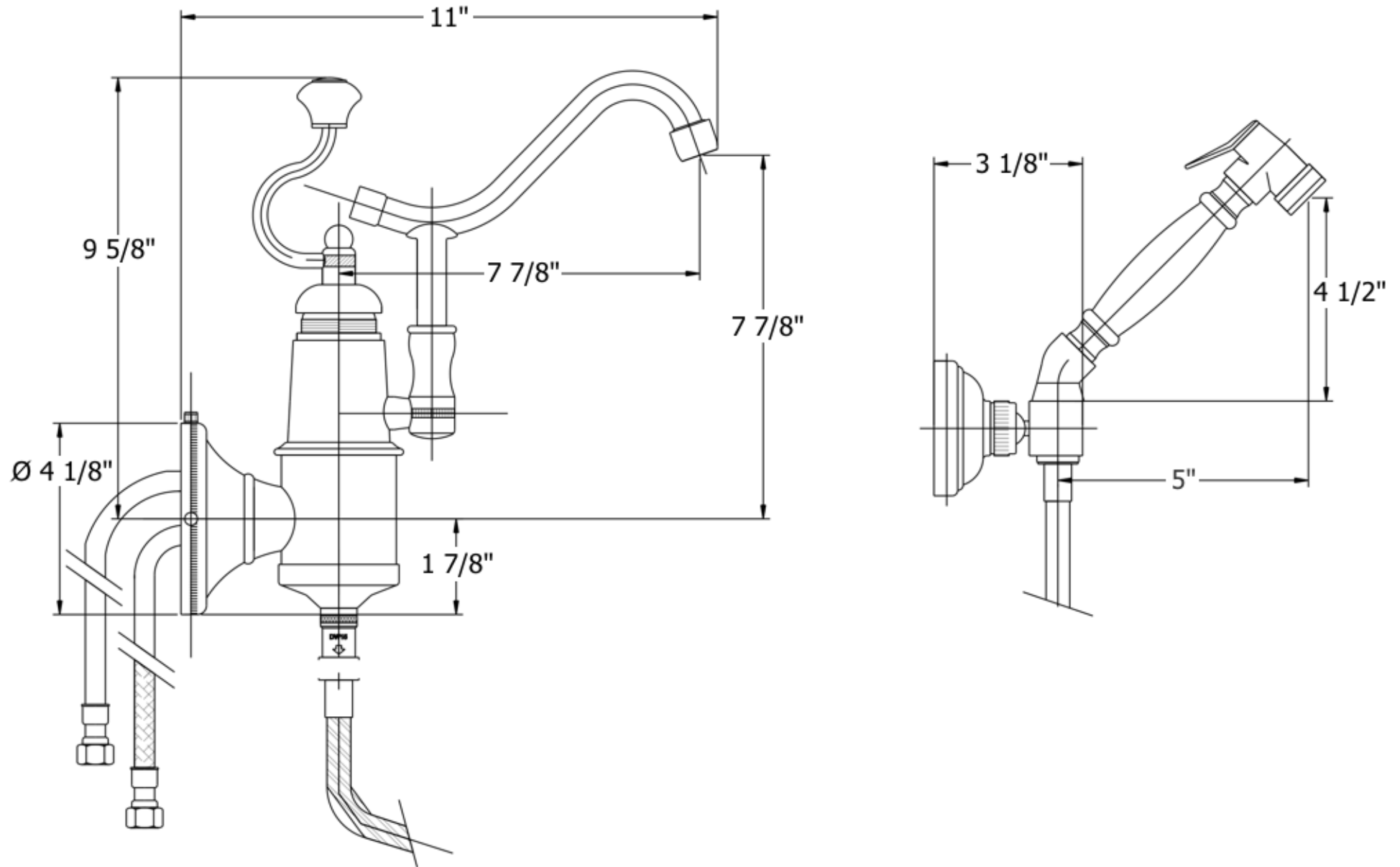
Please follow example when ordering parts for 'De Dion' Single Lever Wall Mounted Mixer With Spray

- To order part #20 – Spout
 - 9410820 xx
- Please substitute finish number needed in place of XX.

To order a part that is not finished use 00



4108 - 'De Dion' Single Lever Mixer Wall Mounted with Hand Spray



4108 - 'De Dion' Single Lever Mixer Wall Mounted with Hand Spray

