

LENOVA

4580 W Roosevelt Rd Hillside, IL 60162 www.Lenovasinks.com Phone: 877-733-1098

SPECIFICATIONS

MODEL SS-B3

GENERAL

Fine quality sink formed of heavy duty 18 gauge, type 304 nickel bearing stainless steel.

DESIGN FEATURES

Kidney shape 18 gauge stainless steel bathroom stainless steel sink

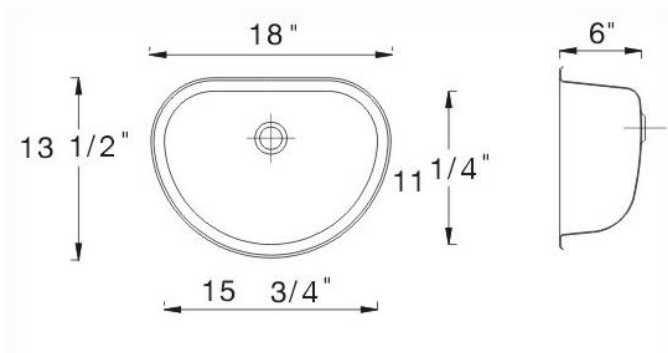
Bowl depth 6" with inside bowl dimensions 15-3/4" and 11-1/4", and over all 18" X 13-1/2"

Mounting Type: Either Undermount or Topmount

Self-rimming edge

Finish: Inside bowl surfaces polished to a uniform satin finish.

Other: Drain opening 1-3/4".



CUPC certified

Minimum cabinet size: 21"

Product shall be specified as SS-B3

Warranty:

Limited Life Time warranty against manufacturer defects and craftsmanship.