

Date:

Client:

Project:

VOLA product: 922



**922**

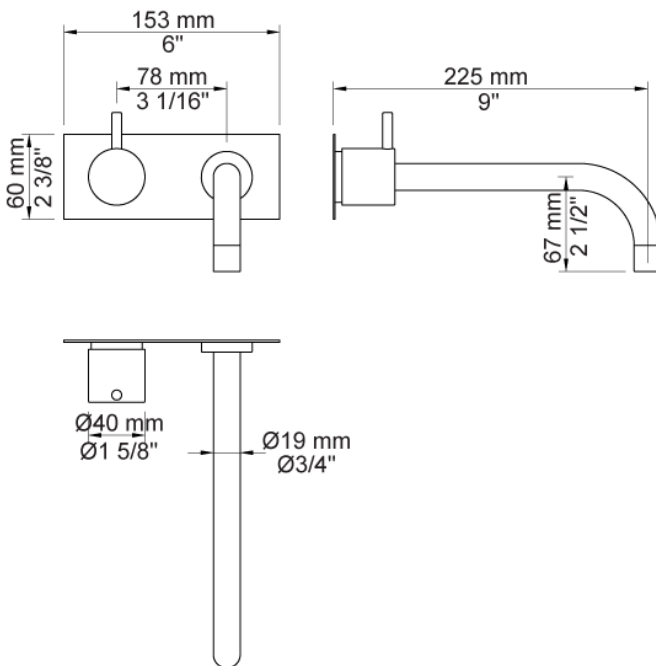
Build-in stop valve with ¼ turn ceramic disc technology.  
 922UP = Valve 900.  
 922AP = Handle NR17, 225 mm fixed spout 020,  
 two-hole plate 60 x 153 mm 002.

**Flow**

	Bar:	1,0	2,0	3,0	4,0	5,0
922	(l/min)	5,0	5,0	5,0	5,0	5,0

**Available in colours**

- Color 02, Grey
- Color 04, Light blue
- Color 05, Orange
- Color 06, Light green
- Color 08, Yellow
- Color 09, Dark grey
- Color 12, Mocca
- Color 14, Bright red
- Color 15, Dark blue
- Color 16, Polished chrome
- Color 17, Gloss black
- Color 18, White
- Color 19, Natural brass
- Color 20, Brushed chrome
- Color 21, Carmine red
- Color 25, Pink
- Color 27, Matt black
- Color 40, Brushed stainless steel



Date:

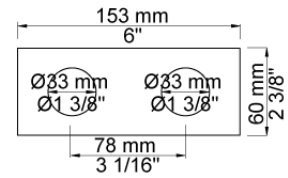
Client:

Project:

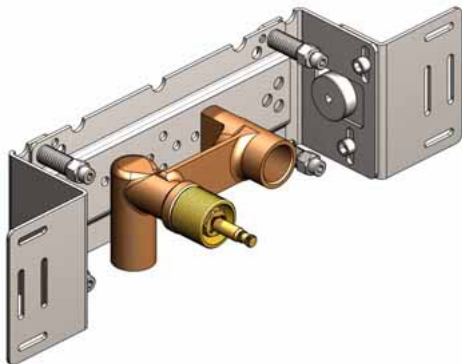
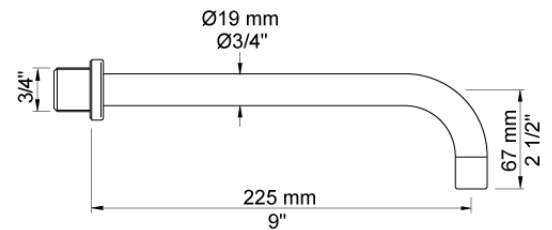
VOLA product: 922



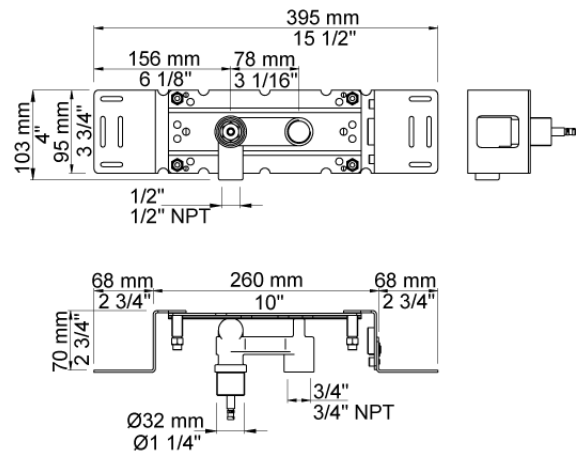
**002**  
Two-hole plate, 60 x 153 mm.  
Holes Ø33 mm.



**020**  
225 mm fixed spout with water saving aerator.



**900**  
Build-in stop valve with fixed outlet socket.  
1/2" connection to copper, steel, iron or pex pipe work.



Date:

Client:

Project:

VOLA product: 922



**NR17**  
 Operating handle for 600, 700, 800, 900, 1500, S20, S21, S40, S42 incl. variants. Ø40 mm.

