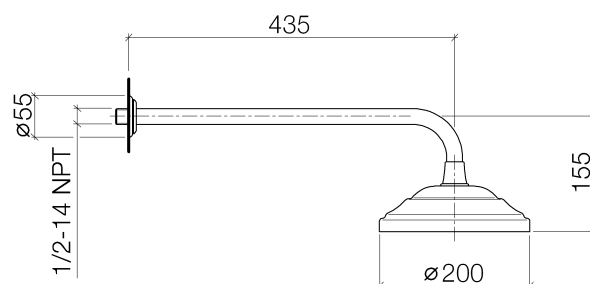




Product specifications

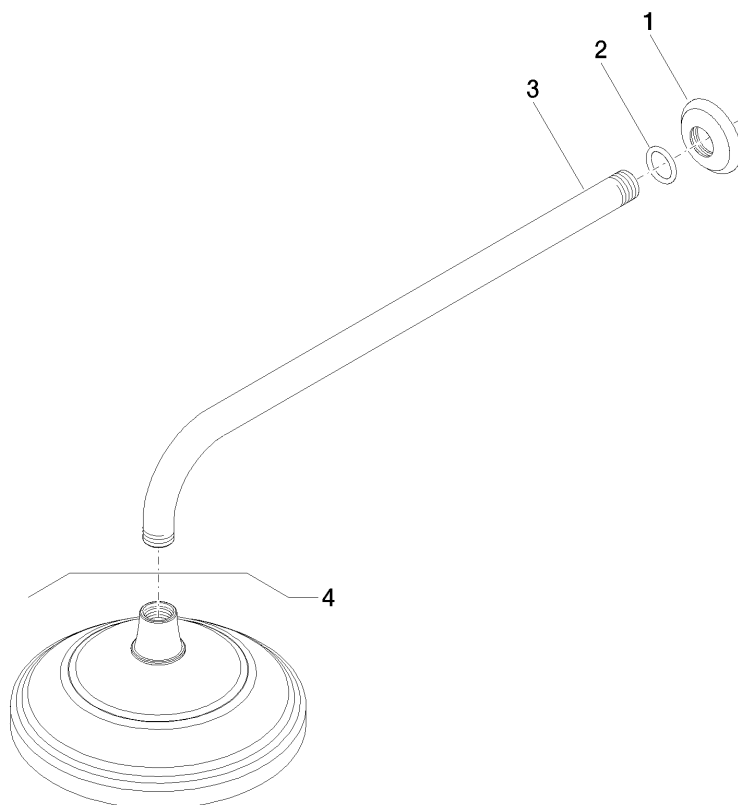
- **17 3/4" projection**
- 7 7/8" diameter shower head with descaling system
- Flange diameter 2 1/8"
- Water flow rate limited to max. 2 gpm
- 1/2" connection



Surfaces

- | | |
|-----------------|-------------|
| • chrome | 28545977-00 |
| • chrome | 28545977-00 |
| • matt platinum | 28545977-06 |
| • matt platinum | 28545977-06 |
| • platinum | 28545977-08 |
| • platinum | 28545977-08 |
| • brass | 28545977-09 |
| • brass | 28545977-09 |

Exploded assembly drawing





Order quantity

No.	Article number	Name	Installation quantity
1	092735003ff	rosette	1
2	09141002690	seal	1
3	091103017ff	connection	1
4	28535977ff	shower	1

