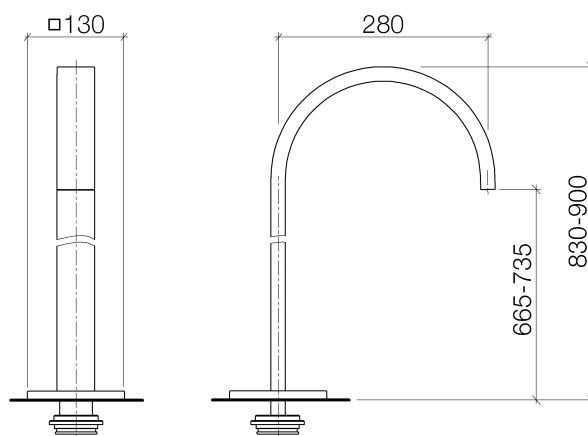




Product specifications

- **11" projection**
- Fixed spout
- Non aerated flow
- Height of mixer 32 5/8" – 35 3/8"
- Height to aerator/spout outlet 26 1/8 – 28 7/8"
- Cover plate 5 1/8" x 5 1/8"



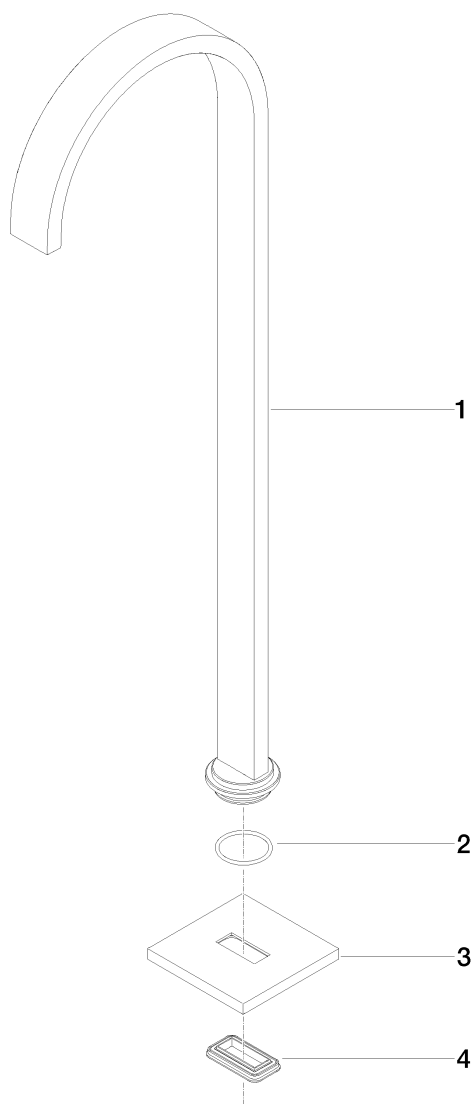
Surfaces

- | | |
|-----------------|-------------|
| • chrome | 13672780-00 |
| • matt platinum | 13672780-06 |
| • platinum | 13672780-08 |

Accessories required

- Rough for floor mounted spout/mixer; 35945970

Exploded assembly drawing





Order quantity

No.	Article number	Name	Installation quantity
1	04282218300ff	spout	1
2	09141008490	seal	1
3	092778022ff	rosette	1
4	09140310690	seal	1

