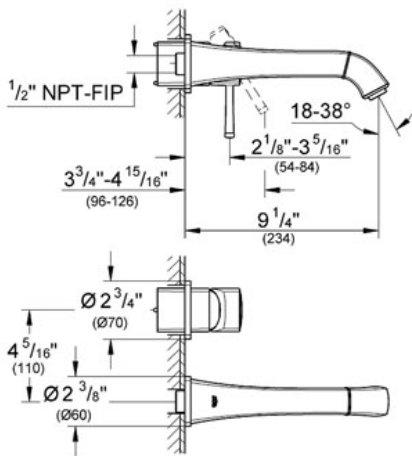


GRANDERA Two-Hole Basin Mixer M-Size

MODEL # 19931

GROHE America, Inc | 200 North Gary Avenue, Suite G, Roselle, IL 60172
Phone: +1 (800) 444-7643 | Fax: +1 (800) 225-2778 | us-customerservice@grohe.com

Pure Freude an Wasser



ADA

Product Description:
Two-Hole Basin Mixer
M-Size

Standard Specification:

- GROHE StarLight® finish
 - GROHE EcoJoy® technology for less water and perfect flow
 - GROHE AquaGuide® adjustable aerator 5.7 l/min
 - Wall mount
- Set for final installation for
- Without concealed body
 - Projection 9 1/4 inches
 - Max Flow Rate 1.5 gpm (5.7 L/min)

Applicable Codes & Standards:

- Energy Policy Act of 1992
- ASME A112.18.1/CSA B125.1
- ICC/ANSI A117.1

Color:

- 19931 000 chrome
- 19931 EN0 Brushed Nickel

