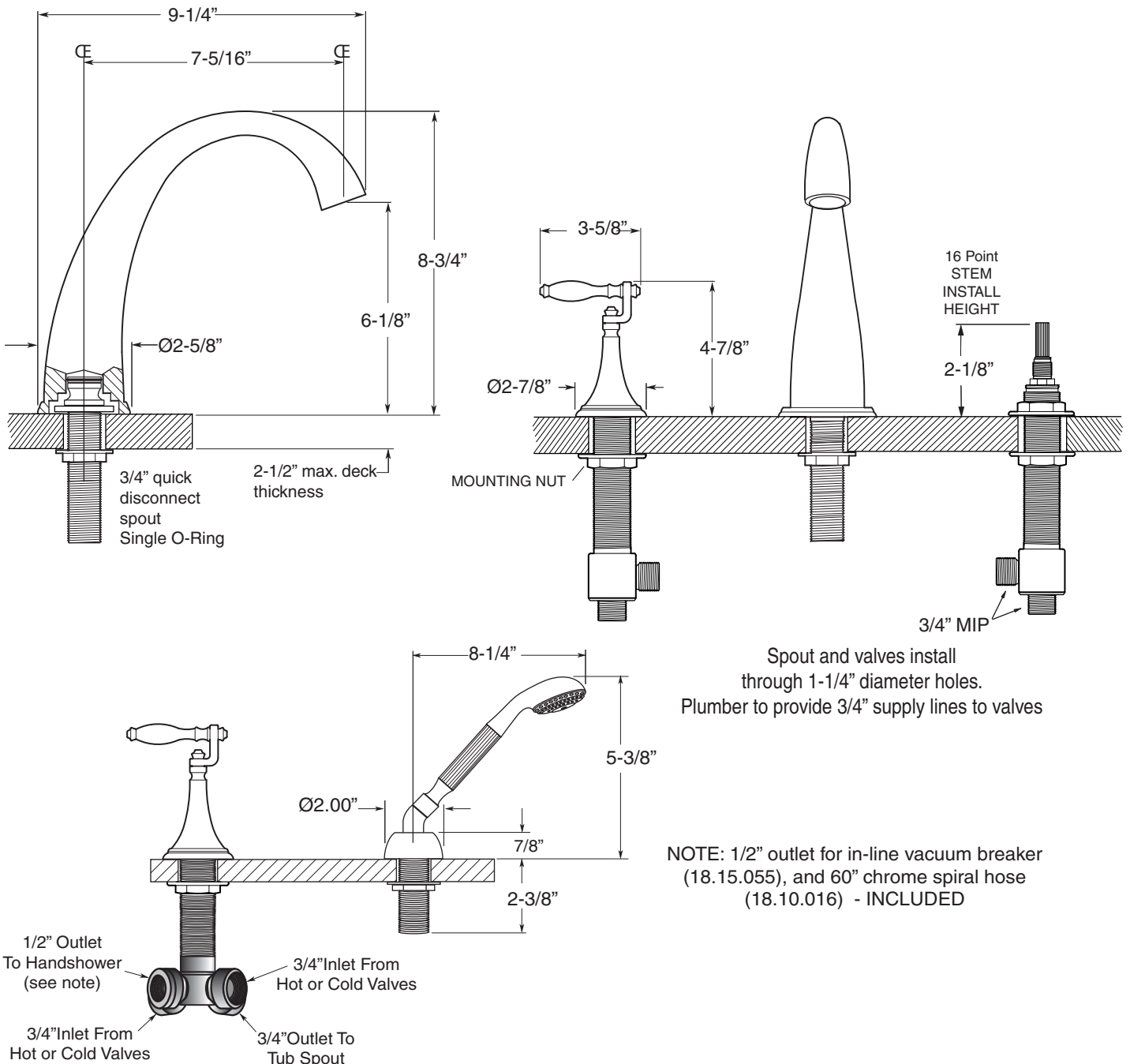


**FEATURES:**

- All brass construction.
- Lever style handles - factory assembled with escutcheon.
- 3/4" valve bodies with 1/4-turn ceramic disc cartridge.
- Available in all finishes. Warranty varies according to finish selection.
- Certified to meet and exceed the following codes and standards:  
ASME A112.18.1-2005/CSAB 125.1-2005

Toronto  
Roman Tub Set with Deckmount  
Handshower and Diverter  
1.202093  
(1.202093T - Trim only)



Spout and valves install through 1-1/4" diameter holes. Plumber to provide 3/4" supply lines to valves

NOTE: 1/2" outlet for in-line vacuum breaker (18.15.055), and 60" chrome spiral hose (18.10.016) - INCLUDED

Note: Measurements are subject to change or cancellation. No responsibility is assumed for use of superseded or voided pages.

# Parts List Series 200

Toronto  
Roman Tub Set with Deckmount  
Diverter and Handshower

