



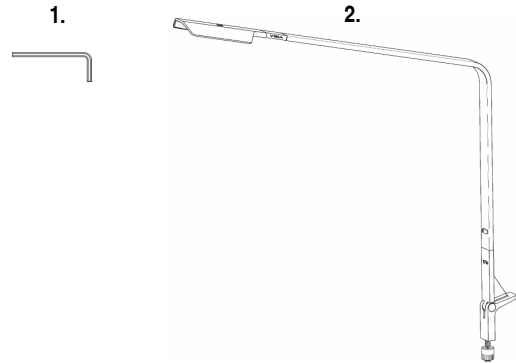
Flex

Design by Ramos & Bassols

VIBIA®
LIGHTING THAT MAKES SENSE

ASSEMBLY INSTRUCTIONS

SUPPLIED MATERIAL



	0755	0756
1 Allen key	1 un.	1 un.
2 Lamp structure	1 un.	1 un.

TECHNICAL SPECIFICATIONS

0755. Net Weight	2,30 Kg	1 x PLATE 28 LEDS 24V 8W	IP20	cULus	F	Dimmer
0756. Net Weight	2,30 Kg	1 x PLATE 28 LEDS 24V 8W	IP20	cULus	F	Dimmer

- Class II. Double- or reinforced-insulation product.
- Product protected against solid object as big as or bigger than 12 mm. No protection against water.
- Product that CAN be in contact with normally-flammable materials (wood or others).
- Product with an integrated dimmer

Caution

Before assembling and installing this product, carefully read the following:

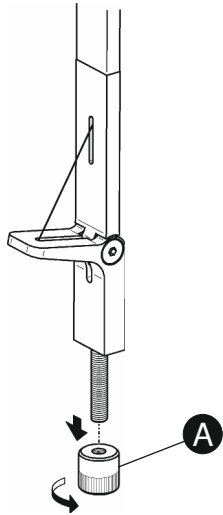
-If the steel cable or the power cord of this lamp is damaged, it must be replaced only by the manufacturer or their technical service or by a person capacitated to this effect to avoid any risk.

-This lamp is for indoor use only, excluding bathrooms or any type of humid surface.

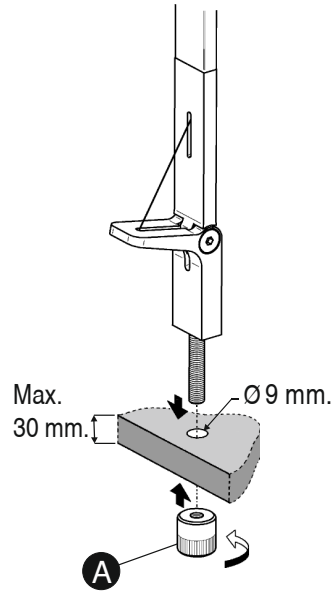
-We recommend reading the manual before installaing the lamp. Keep this instructions for future reference.

ASSEMBLY INSTRUCTIONS

1

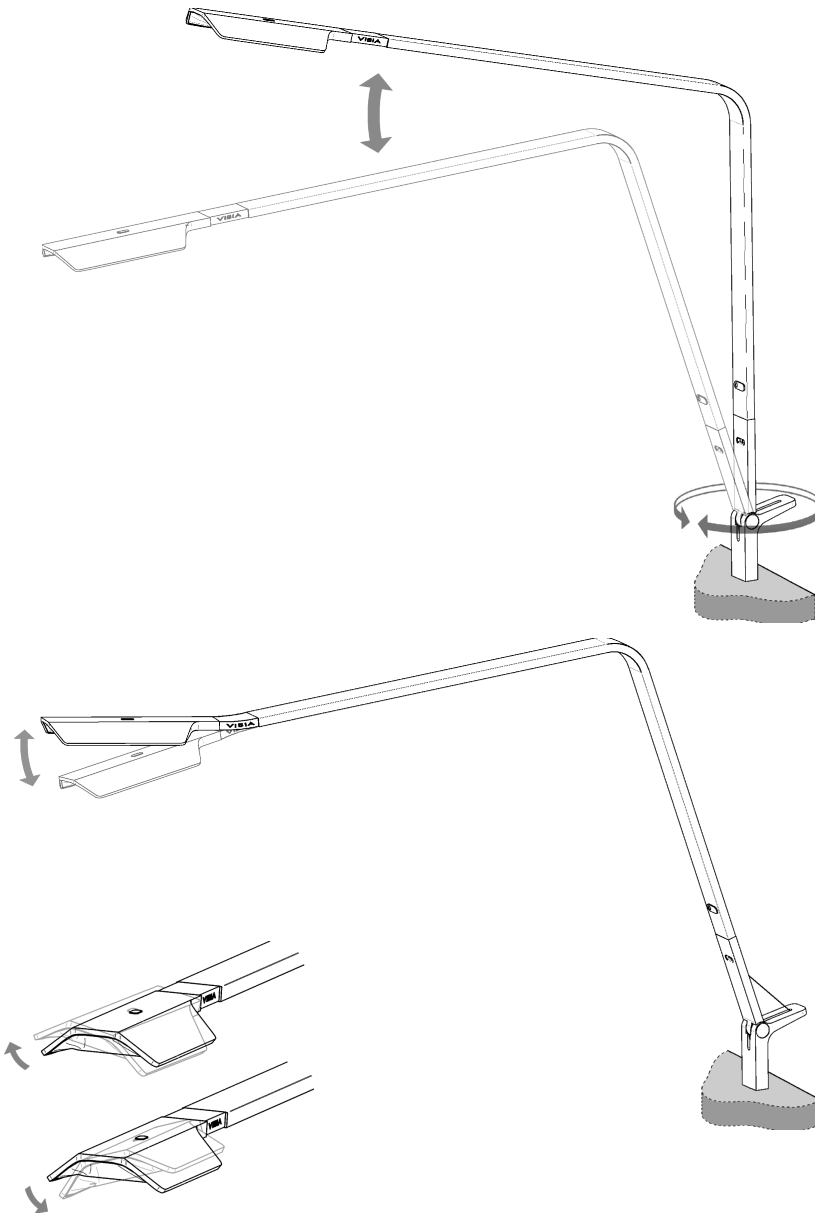


2

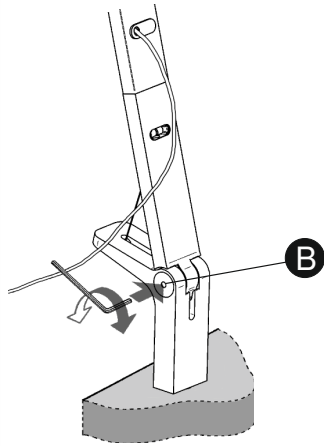


1. Unscrew and remove part (A).
2. Insert the shaft through the $\varnothing 9 \text{ mm.}$ hole made in the table top and screw nut (A) on as tightly as it will go. Do this by hand without using tools.
3. The fitting can be turned through 360° on the base and can be lowered in the direction shown by the arrows. The head also turns as shown by the arrows.

3



4



4. The stiffness of the movement of the arm can be adjusted by turning screw (B) in the joint using the allen key supplied.

5. The light is switched on and off by means of an optical sensor mounted in the top of the head, by giving it a quick tap. See detail 5a.

The brightness of the light is set by keeping the optical sensor covered until the desired brightness is achieved. See detail 5b.

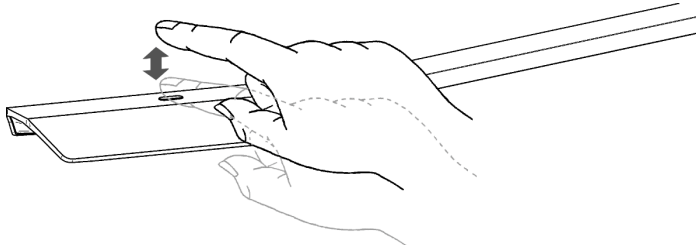
Increase the brightness of the light (MAX.) by keeping the sensor covered.

If it is pressed again the light is dimmed (MIN.).

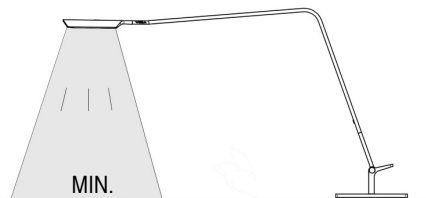
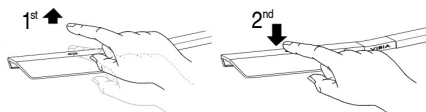
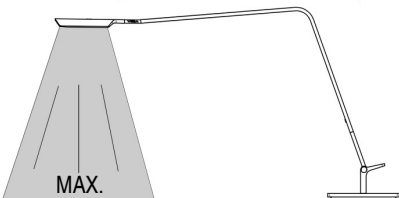
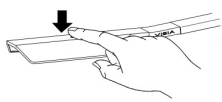
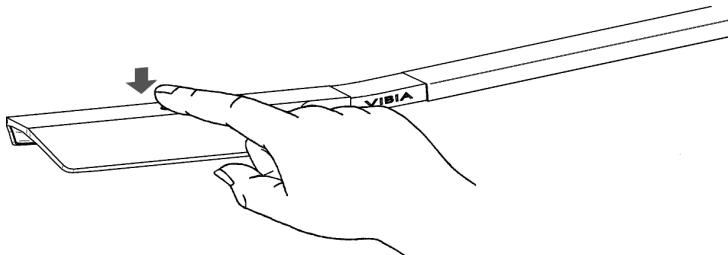
For the sensor to work properly it should be kept clean.

5

5a)



5b)



Maintenance

-Use a slightly-wet cotton cloth for cleaning.

-In case of malfunction or damage, please contact the retailer who sold the lamp.