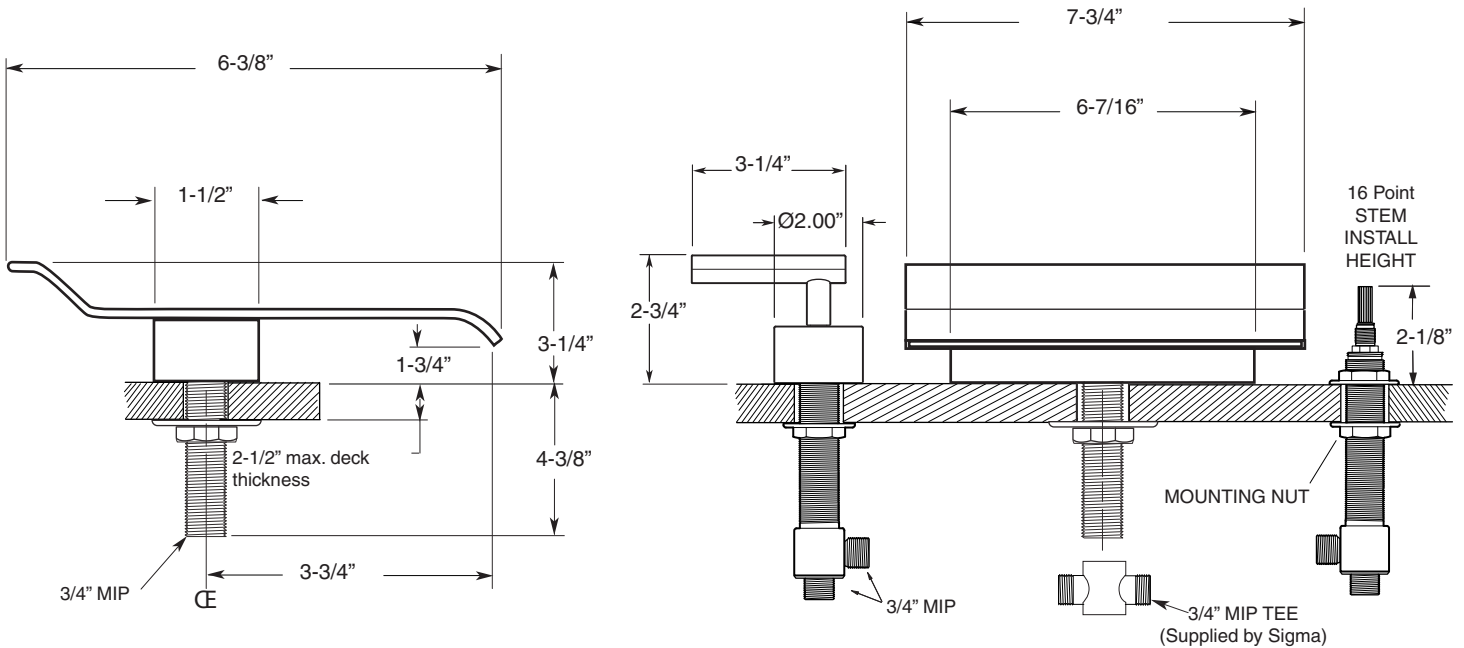


**FEATURES:**

- All brass construction.
- Lever style handles with insert using setscrew attachment.
- 3/4" valve bodies with 1/4-turn ceramic disc cartridge.
- Available in all finishes. Warranty varies according to finish.
- Certified to meet and exceed the following codes and standards:  
ASME A112.18.1-2005/CSAB 125.1-2005

**TechData**  
**SPECIFICATIONS**  
**Speciality**  
**Spouts**

Sheet Waterfall Tub Set  
with Verona Handles  
1.SW2277



**NOTE:** Spout and valves install through 1-1/4" diameter holes.  
Plumber to provide 3/4" supply lines to valves