

# OPULENCE "His" WALL-HUNG BASIN

Cat. No  
4-361, 368



Faucet not included

W: 22-7/8"  
D: 18-1/2"  
H: 4-3/4"

## Features:

- ▶ Vitreous china
- ▶ Transitional style
- ▶ Rectangular basin
- ▶ Available pre-drilled for 1-hole faucet (361) or 8" widespread (368)
- ▶ Should be mounted to wall with toggle or molly bolts (not included)

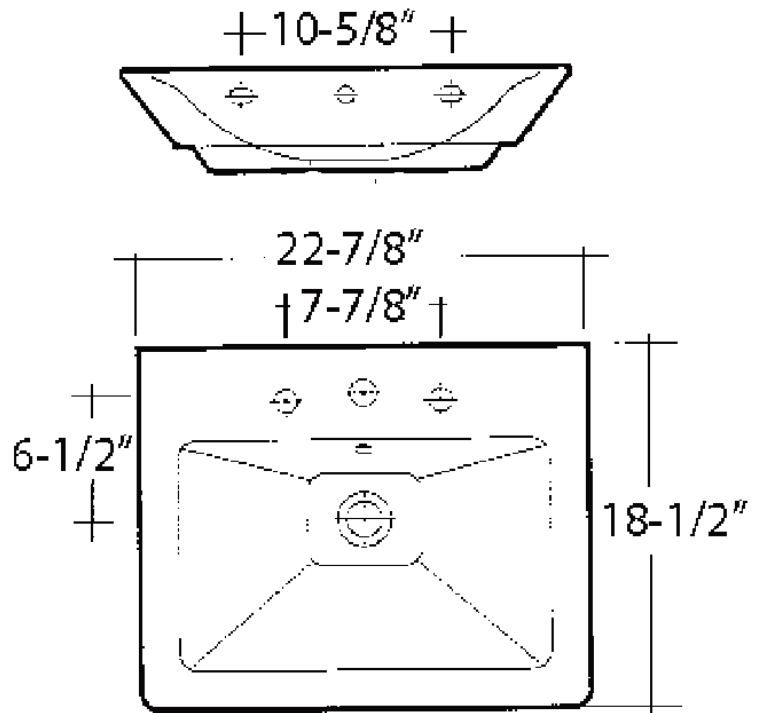
## Colors:

WH White

**Compliance Certification**  
Meets or exceeds the following specifications: ASME A112.19.1 2008 AND CSA B45.2-08 for Vitreous China fixtures.

## Interior Dimensions:

Basin Interior:	18-1/2" x 12"
Basin Depth:	4-1/2"
Back of basin to center of faucet:	2-3/8"
Back of basin to center of drain:	9"
Mount holes cc:	10-5/8"
Faucet and spout holes:	1 1/4"



Dimensions of fixture are nominal and may vary within the range of tolerances established by ASME Standard A112.19.2. Dimensions and specifications subject to change without notice.