

**SPECIFICATIONS**

**SURGE™ 4 1/2" SHOWERHEAD**

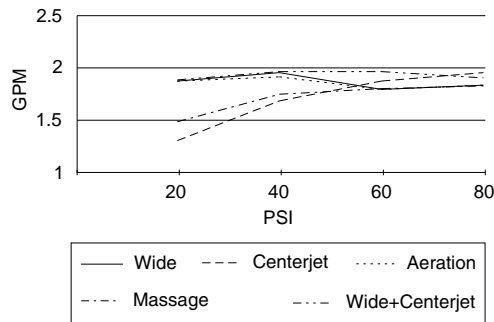
**Model**

D460029

**Description**

- 5 functions: wide, centerjet, aeration, massage and wide + centerjet
- D-Force™ and Air Injection Technology
- Brass ball joint with polymer shell
- Easy-Glide™ selector ring
- Optimizes water intensity even at low pressures
- With 71 easy clean jets
- Maximum flow rate 2.0 gpm @ 80 psi
- Uses 20% less water than a standard showerhead flowing at 2.5 gpm

**Flow Rate**



**Standards**



- UPC/cUPC
- Energy policy act of 1992

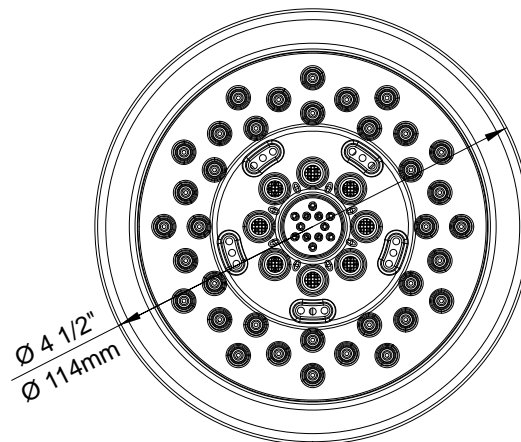
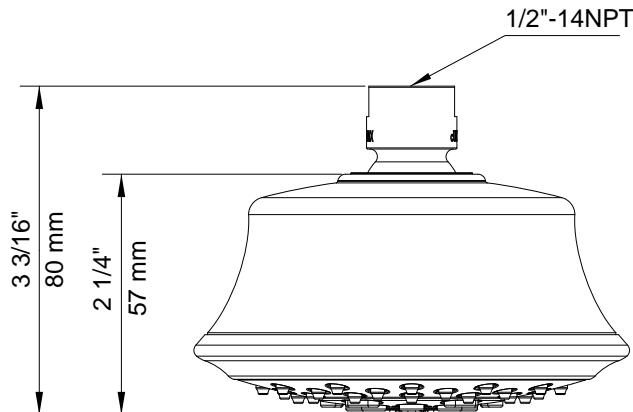


**Finishes Available**

- Chrome
- Other: Refer to Price List for additional finish

**Warranty**

Danze products are covered by a manufacturer's limited "lifetime" warranty for manufacturing defects.



**Submittal Information:**

Job Name: \_\_\_\_\_  
 Contractor: \_\_\_\_\_

Location: \_\_\_\_\_  
 Contact #: \_\_\_\_\_