



WIDE SPREAD KITCHEN FAUCET w/ SIDE SPRAYER- Two Handle Kitchen MOKTSxxMNL/ MOKTSxxMDX

Description

- 8" wide spread kitchen faucet with side sprayer
- Rotating brass spout
- Ceramic disc cartridges
- Solid brass construction

Standards

- ASME A112.18.1 Compliant
- Listed IAPMO / UPC & cUPC
- ADA Accessibility Guidelines for Buildings and Facilities - 4.27.4 Controls and Mechanisms (lever handle only)
- NSF - 61-9 tested and approved
- CSA B125.1 Compliant and listed
- California AB 1953 Compliant

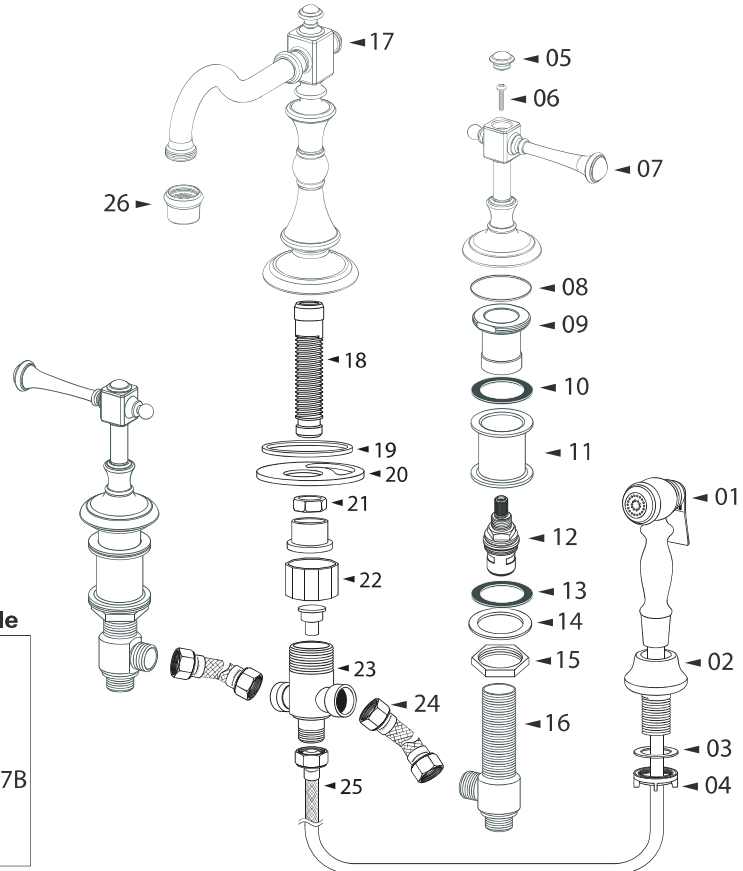
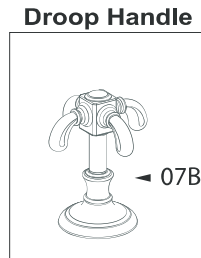


Colors / Finishes

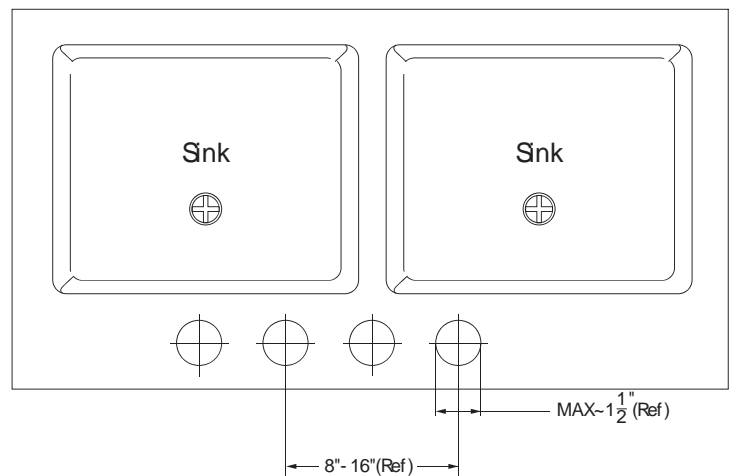
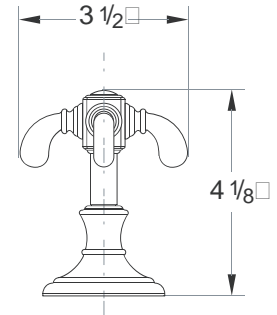
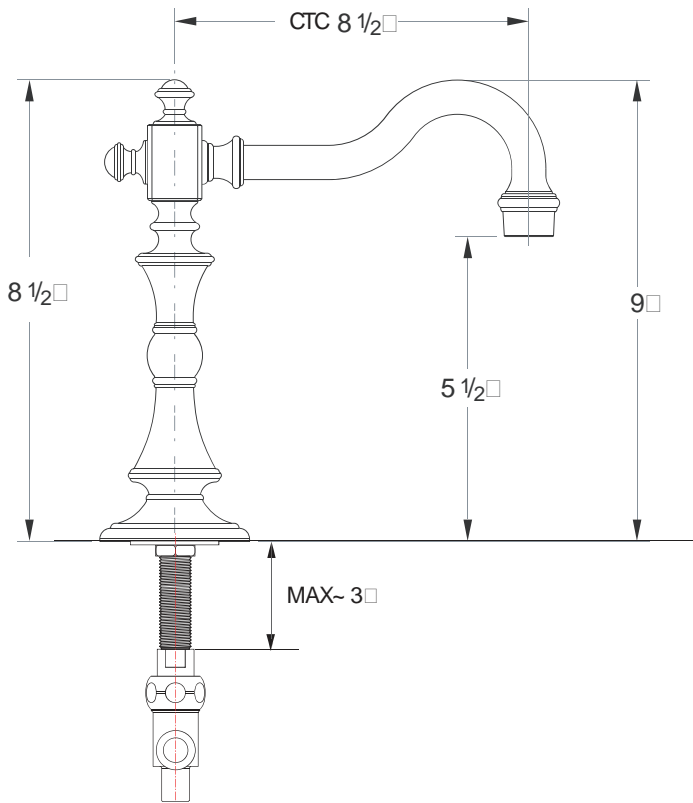
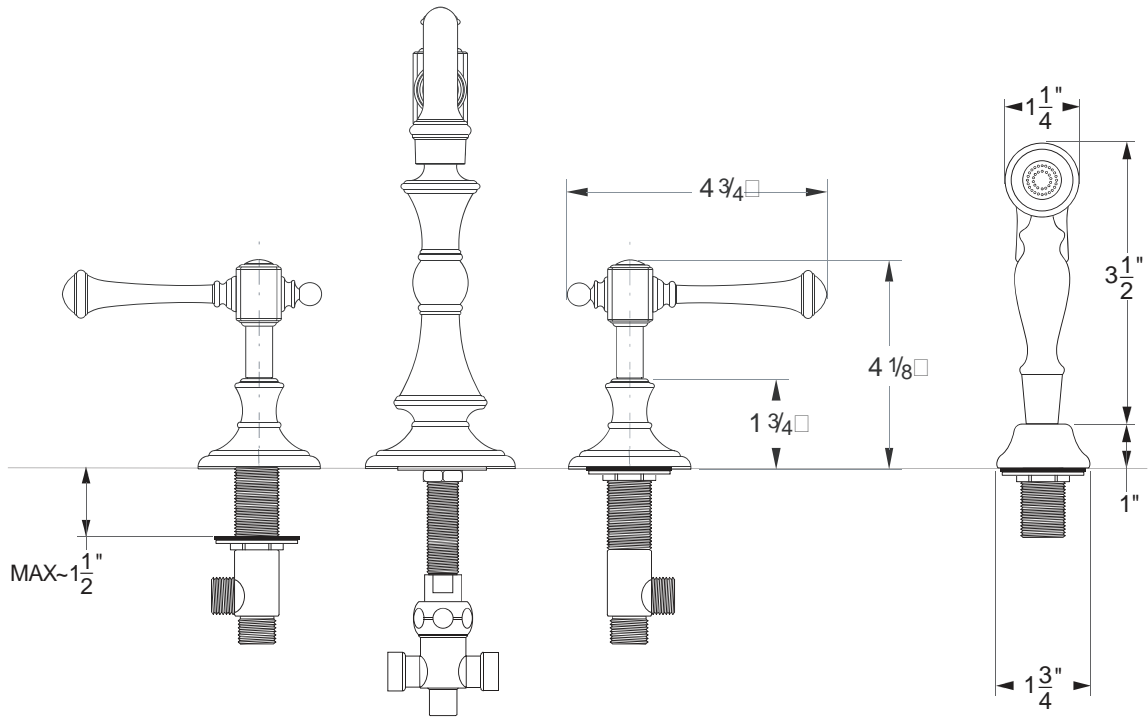
- 01 - Chrome
- 12 - Satin Nickel
- 20 - Antique Bronze
- 21 - Antique Brass
- 22 - Antique nickel
- 23 - Antique Copper
- 24 - Satin Copper
- 27 - Matte Nickel
- 28 - ORB
- 29 - Polished Nickel
- 70 - Polished Brass (PVD)
- 71 - Polished Nickel (PVD)
- 72 - Satin Nickel (PVD)
- 73 - Satin Brass (PVD)

BREAK DOWN Component Parts List

#	Part Name	QYT
01	SIDE SPRAYER	1
02	SIDE SPRAYER HOLDER	1
03	WASHER	1
04	HEX LOCK NUT	1
05	END CAP	2
06	CAP SCREW	2
07	MNL LEVER HANDLE	2
07B	MDX DROOP HANDLE	2
08	O-RING	2
09	VALVE RETAINING SLEEVE	2
10	RUBBER WASHER	2
11	SPACERRING	2
12	HOT AND COLD CARTRIDGE	1 ea.
13	RUBBER WASHER	2
14	METAL WASHER	2
15	HEX LOCK NUT	2
16	VALVE HOUSING	2
17	SPOUT ASSEMBLY	1
18	SHANK	1
19	RUBBERWASHER	1
20	METAL WASHER	1
21	HEX LOCK NUT	1
22	ADAPTOR	1
23	T-CONNECTOR W/ DIVERTER	1
24	HOSE	2
25	SPARYER HOSE	1
26	AERATOR ASSEMBLY	1



SPECIFICATION



Item Number	Type	Date
MOKTSxxMDX/ MOKTSxxMNL	Kitchen	05-16-2011