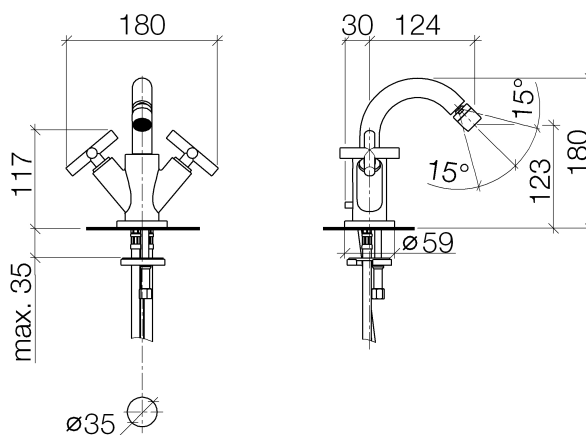




Product specifications

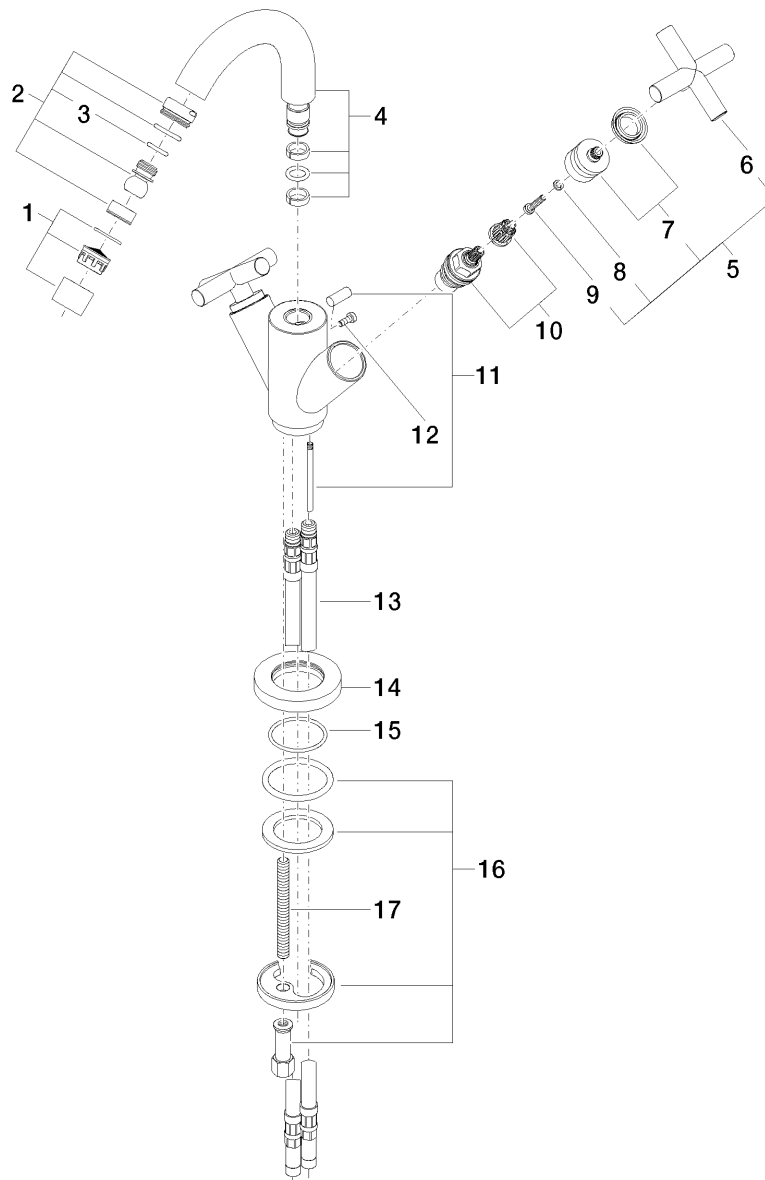
- **4 7/8" projection**
- Deck valves with 2x xControl ceramic disc cartridges 1/2"
- 2x M 10 x 1 screw-in high pressure hose
- Total height 7 1/8"
- Height to aerator/spout outlet 4 7/8"
- **US drain with overflow**
- Flange diameter 2 3/8"
- Water flow rate limited to max. 1.85 gpm
- Aerator M 22 x 1 with ball-and-socket joint M 14 x 1, can be swiveled 15°



Surfaces

- chrome 24510892-00
- chrome 24510892-00
- matt platinum 24510892-06
- matt platinum 24510892-06
- platinum 24510892-08
- platinum 24510892-08
- matt white 24510892-10
- matt white 24510892-10
- matt black 24510892-33
- matt black 24510892-33

Exploded assembly drawing



18 — Ablaufgarnitur 04.11.01.001.00-ff

Order quantity

No.	Article number	Name	Installation quantity
1	90230100405ff	aerator	1
2	04214000700ff	joint	1
3	09141001190	seal	1
4	90282221600ff	spout	1
5	04208901000ff	handle	2
6	092089010ff	handle	2
7	90121200700ff	base	2
8	09301102990	disc	2
9	09303007590	screw	2
10	9090031510090	top	2
11	04208903580ff	pull-rod	1
12	09303005490	screw	1
13	0430040450090	hose	2
14	092810132ff	ring	1
15	09141013490	seal	1
16	0430110380090	fixing set	1
17	09311101190	pin	1
18	04110102300ff	pop-up waste	1

