

# FAIRFIELD

## Wall-Mounted Lavatory Faucet 3-2101

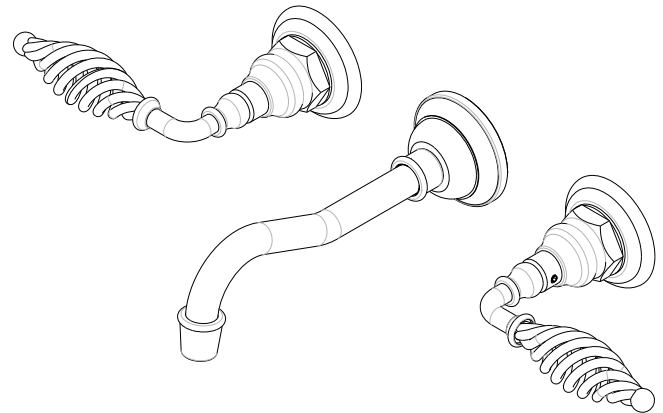
### Features

- Solid brass construction
- ADA compliant traditional lever handles
- 7-1/4" (18.4 cm) spout reach (wall-to-center)
- 1/2" NPT spout inlet fitting
- Intended for use with Newport Brass rough valve as specified (Required Accessory)
- Rough valve incorporates a brass valve body assembly
- Rough valve incorporates quarter-turn washerless ceramic disc valve cartridges

### Codes / Standards Compliance

Meets or exceeds the following at date of manufacture:

- ASME A112.18.1/CSA B125.1
- IAPMO/cUPC
- NSF 61
- IPC
- ADA
- ICC/ANSI A117.1
- Energy Policy Act of 1992
- All applicable US Federal and State material regulations
- EPA Watersense



### Colors / Finishes

- 15: Polished Nickel
- 15S: Satin Nickel
- 26: Polished Chrome
- 10B: Oil Rubbed Bronze
- Other: Refer to the Newport Brass catalog for additional color/finish options.

### Specified Model

| Model  | Description                  | Colors / Finishes           |                              |                             |                              |                                |
|--------|------------------------------|-----------------------------|------------------------------|-----------------------------|------------------------------|--------------------------------|
| 3-2101 | Wall-Mounted Lavatory Faucet | <input type="checkbox"/> 15 | <input type="checkbox"/> 15S | <input type="checkbox"/> 26 | <input type="checkbox"/> 10B | <input type="checkbox"/> Other |

### Required Accessory:

Faucet, above, and Rough Valve, below, must both be specified.

| Application       | Tub Only Valve*                       | Wall Lavatory Valve            | Tub Only Valve*                       | Wall Lavatory Valve            |
|-------------------|---------------------------------------|--------------------------------|---------------------------------------|--------------------------------|
| Description       | 2-Cartridge Assembly with 16pt Spline |                                | 2-Cartridge Assembly with 20pt Spline |                                |
| Inlet/Outlet Size | 1/2"                                  | 1/2"                           | 1/2"                                  | 1/2"                           |
| Part Number       | <input type="checkbox"/> 1-500        | <input type="checkbox"/> 1-532 | <input type="checkbox"/> 1-564        | <input type="checkbox"/> 1-560 |
| Image             |                                       |                                |                                       |                                |

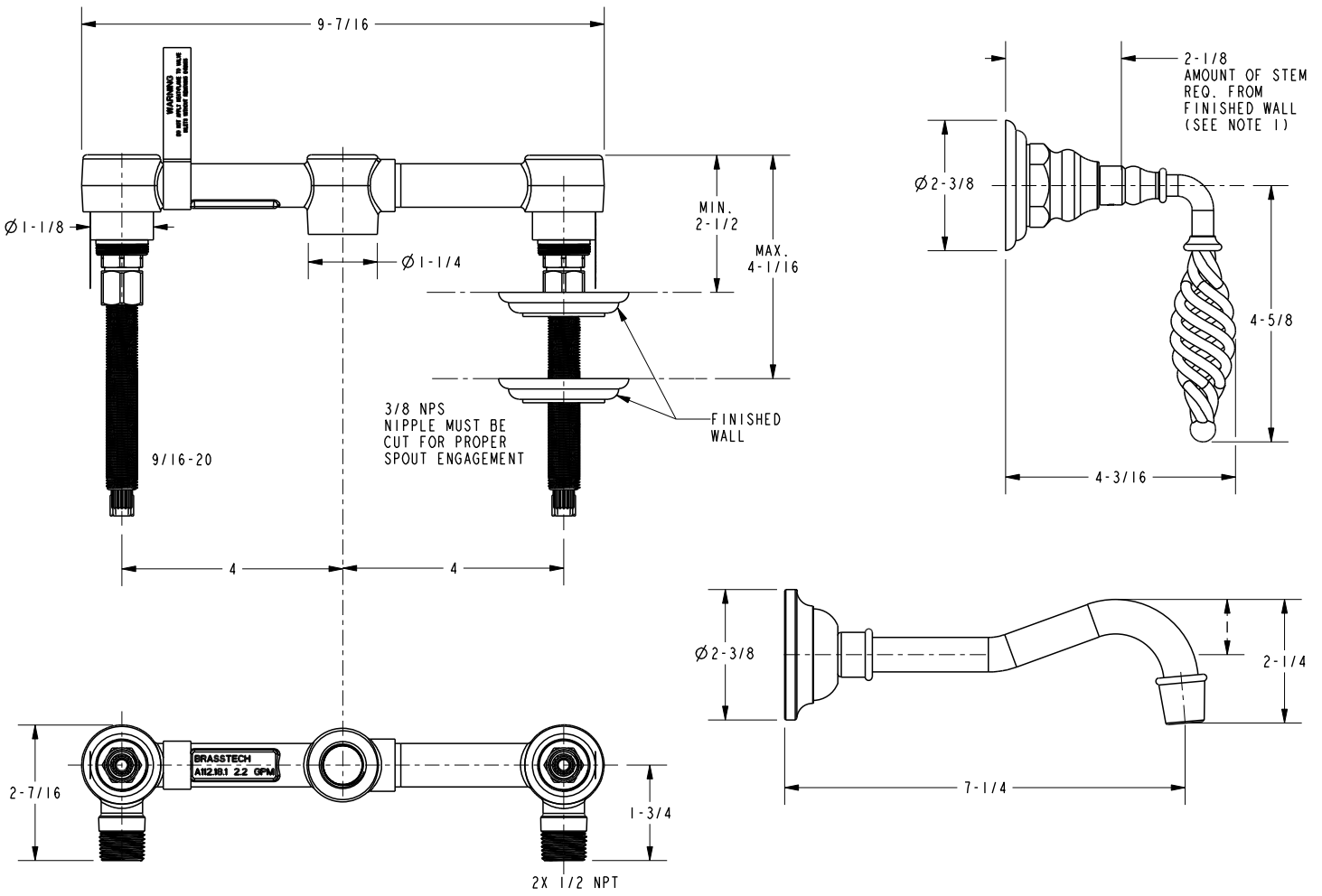
### Product Specification:

Add "Color / Finish" suffix to model number, below.

The Wall-Mounted Lavatory Faucet shall be made of solid brass construction. Wall-Mounted Lavatory Faucet shall incorporate ADA compliant lever handles and a 7-1/4" (18.4 cm) spout (wall-to-center) that incorporates a 1/2" NPT inlet fitting. Wall-Mounted Lavatory Faucet shall be Newport Brass Model 3-2101/\_\_\_\_\_ and Newport Brass rough valve shall be 1-532.

# 3-2101

## Product Dimensions (units are in inches)



1. CUT ALL-THREAD 1/2" SHORTER THAN STEM