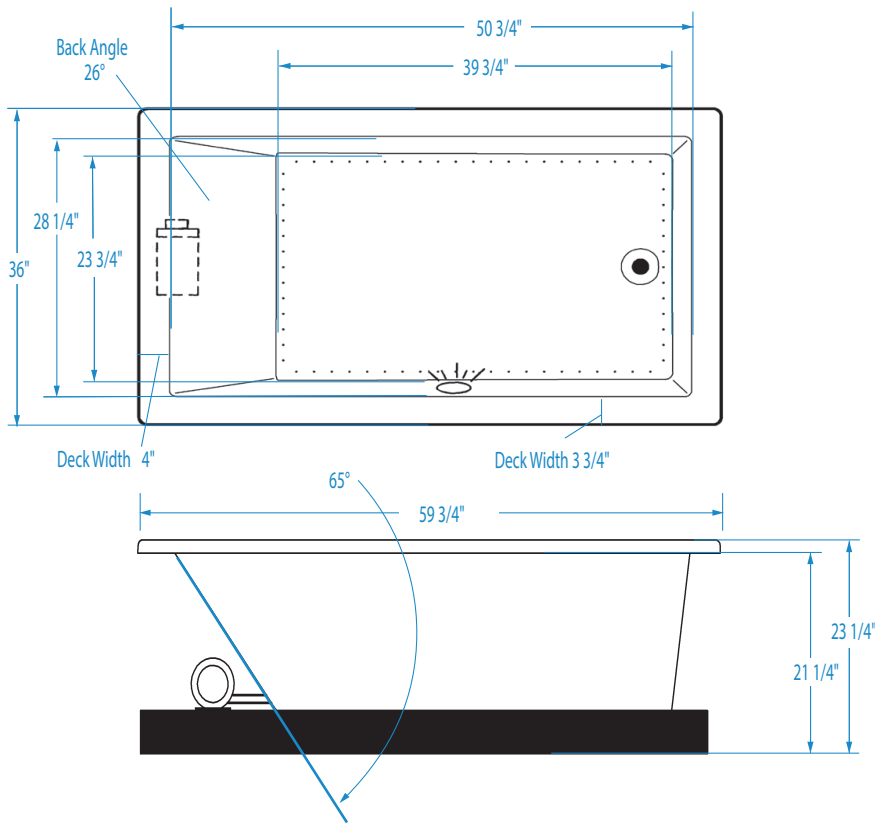


# SERENITY 35

59 3/4 x 36 x 23 1/4 (1520 x 915 x 590)  
inches (mm)



**FEATURES** lbs (kg) Dimensional Tolerance ± 3/8". Dimensions needed for site preparation should be measured from the unit. Aquatic assumes no responsibility for preparatory work.

Type and Model #	Material	System	Powered By	Heater	Controls	Drain	Pkg. Wt.
Soaker #AI35AIR6036TO	Acrylic	-	-	-	-	Universal	128 (58)
HotSoak #AI35AIR6036HS	Acrylic	Water circulation	Pump	1.5 kW Inline maintenance	Electronic	Universal	158 (72)
Air Bath #AI35AIR6036	Acrylic	Air channel	Variable speed blower	Integrated	Electronic	Universal	158 (72)
DriftBath #AI35AIR6036DB	Acrylic	Water circulation	Pump	Integrated	Electronic	Universal	169 (77)

**DIMENSIONS** inches (mm)

Width Overall / Net	Depth Overall / Net	Height Overall / Net	Skirt Height
59 3/4 (1520)	36 (915)	23 1/4 (590)	-

**SUMP DATA** inches (mm)

Capacity to Overflow gal (ltr)	Min. Operating Capacity gal (ltr)	WIDTH @ centerline		DEPTH @ centerline	
		Top	Bottom	Top	Bottom
82 (310)	-	50 3/4 (1290)	39 3/4 (1010)	28 1/4 (720)	23 3/4 (605)

**PLUMBING DIMENSIONS** inches (mm)

A	B	Drain Diameter / Clearance
3 3/4 (95)	10 3/4 (275)	2 (50) / 3/4 (20)

**ELECTRICAL DATA**

Component	Specification	Requirement
Heated Blower (Air Bath)	10.5 AMP; 120V	15 AMP; 120V, separate circuit; Class A GFCI
Pump (HotSoak)	1/15 HP; 1.3 AMP; 120V	20 AMP; 120V, separate circuit; Class A GFCI
Heater (HotSoak)	1.5 kW; 12 AMP; 120V	
Pump (DriftBath)	3/4 HP; 8.8 AMP; 120V	15 AMP; 120V, separate circuit; Class A GFCI

**NOTES:**

- 1) Where applicable, utilize cut-out templates packed with unit for deck cutouts.
- 2) 16 x 16 (405 x 405) minimum access required at pump/blower location(s).
- 3) For Low Profile Deck, framing height will need to be increased by an additional 1".

Each Serenity air bath is equipped with an air heating system to raise the temperature of the air entering the bath. This air temperature will be lower than the bathing temperature of the water, but will help reduce rapid decrease in water temperature. In addition, the air coming from the air jets will feel cool against the skin. This system does not heat the water.