



California Faucets®

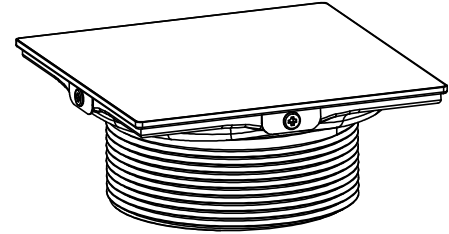
9178

StyleDrain™

DELUXE DRAIN KIT FOR 3-1/2" IPS COLLAR

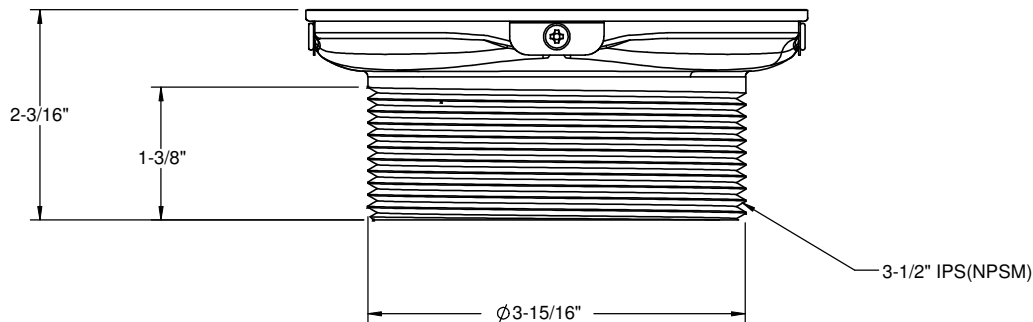
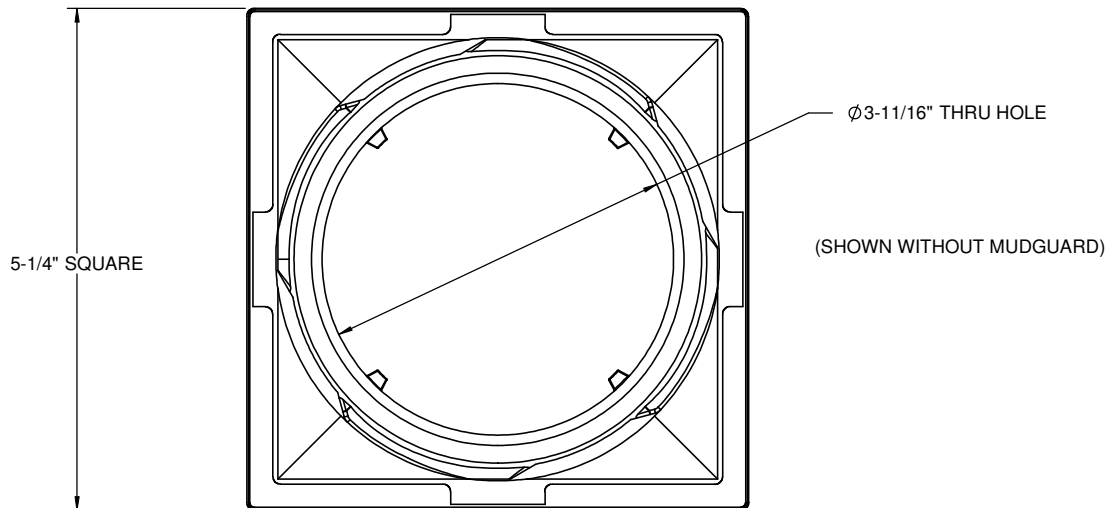
Features

- Rugged brass construction throat
 - Stainless steel tile frame with brass screws
 - Protective plastic mudguard
 - 3-1/2" IPS(NPS - straight pipe) thread throat which is compatible with Zurn Z415 Series drain bodies
 - Compatible with all StyleDrain Decorative Trim Grids
- For complete selection, see www.calfaucets.com



Codes/Standards Applicable

- Specified model meets or exceeds the following:
- ASME A112.18.2/CSA B125.2



DIMENSIONS SHOWN TO NEAREST 1/16"