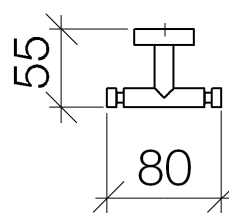
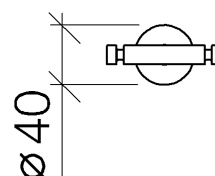




Product specifications

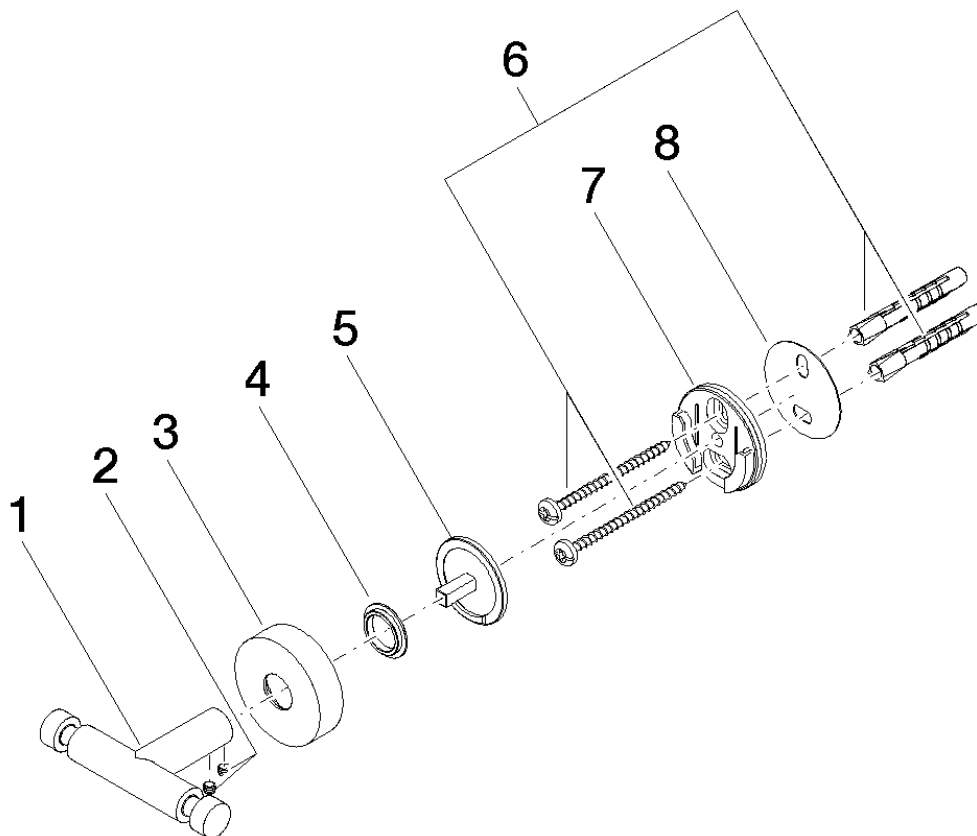
- Width 3 1/8"
- Flange diameter 1 5/8"
- 2 1/8" projection



Surfaces

- | | |
|-----------------|-------------|
| • chrome | 83256979-00 |
| • chrome | 83256979-00 |
| • matt platinum | 83256979-06 |
| • matt platinum | 83256979-06 |

Exploded assembly drawing



Order quantity

No.	Article number	Name	Installation quantity
1	05186051901ff	holder	1
2	09311103890	pin	2
3	082797500ff	rosette	1
4	08301151690	ring	1
5	08179755990	holder	1
6	0530310250090	fixing set	1
7	08179750107	holder	1
8	08301151990	disc	1