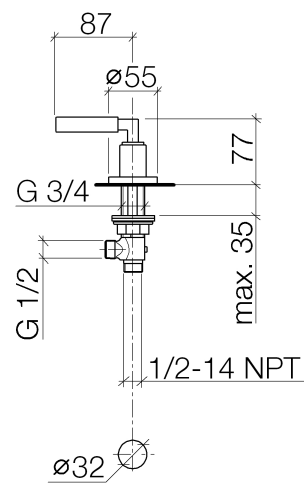




Product specifications

- 1/2" ceramic disc cartridge
- Flange diameter 2 1/8"
- 1 1/4" hole diameter

[ADA]

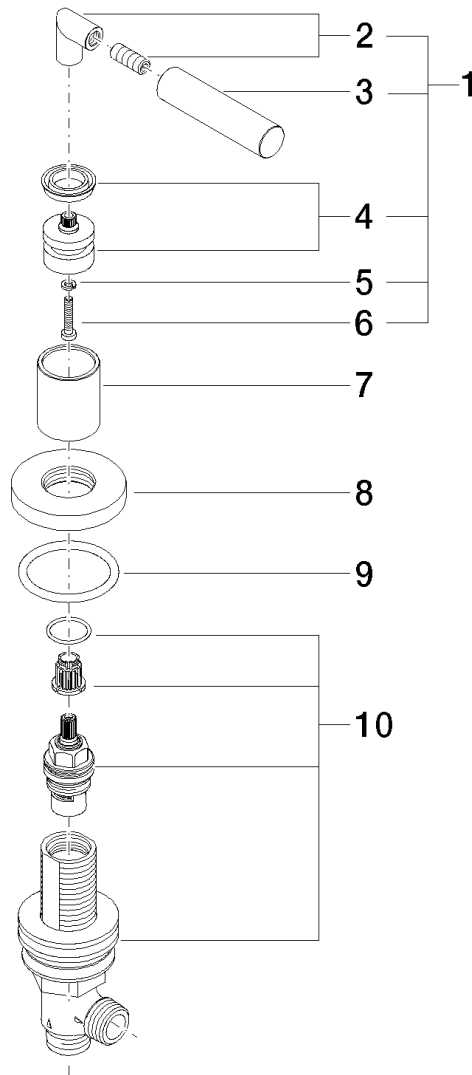




Surfaces

- chrome 20000882-00
- chrome 20000882-00
- matt platinum 20000882-06
- matt platinum 20000882-06
- platinum 20000882-08
- platinum 20000882-08
- matt white 20000882-10
- matt white 20000882-10
- matt black 20000882-33
- matt black 20000882-33

Exploded assembly drawing



Order quantity

No.	Article number	Name	Installation quantity
1	04208805200ff	handle	1
2	04182002200ff	angle	1
3	092088052ff	handle	1
4	90121200700ff	base	1
5	09301102990	disc	1
6	09303007590	screw	1
7	092102140ff	sleeve	1
8	092789105ff	rosette	1
9	09141004390	seal	1
10	9017110403190	side panel	1

