



Skan

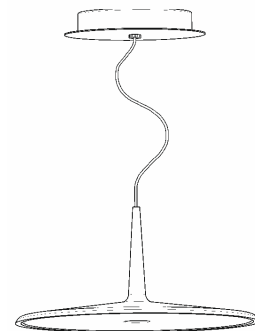
Design by Lievore, Altherr, Molina

VIBIA
LIGHT IS CREATION

ASSEMBLY INSTRUCTIONS

SUPPLIED MATERIAL

1.



	0270
1 Lamp structure	1 un.

TECHNICAL SPECIFICATIONS

0270. Net Weight 1,40 Kg



1x LED 10W 350 mA



IP20



US



Class I. Product with an additional protection cable (grounds).

IP20

Product protected against solid object as big as or bigger than 12 mm. No protection against water.



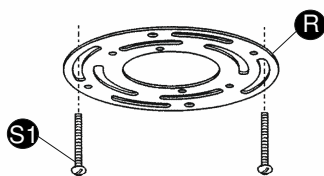
Product that CAN be in contact with normally-flammable materials (wood or others).

Caution

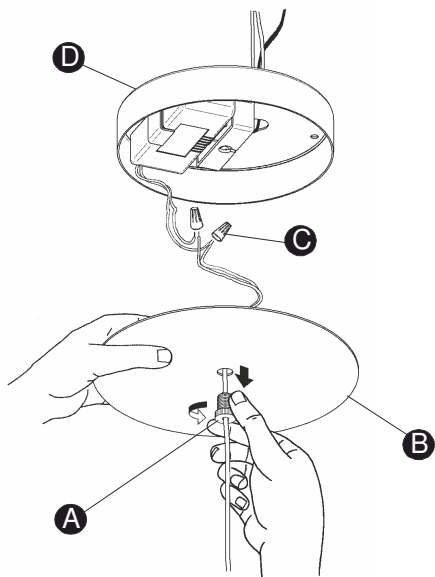
Before assembling and installing this product, carefully read the following:

- Switch of the mains before installing the lamp.
- To install on the ceiling, always choose the most adequate fixing tools for the ceiling material.
- If the steel cable or the power cord of this lamp is damaged, it must be replaced only by the manufacturer or their technical service or by a person capacitated to this effect to avoid any risk.
- This lamp is for indoor use only, excluding bathrooms or any type of humid surface.
- We recommend reading the manual before installainga the lamp. Keep this instructions for future reference.

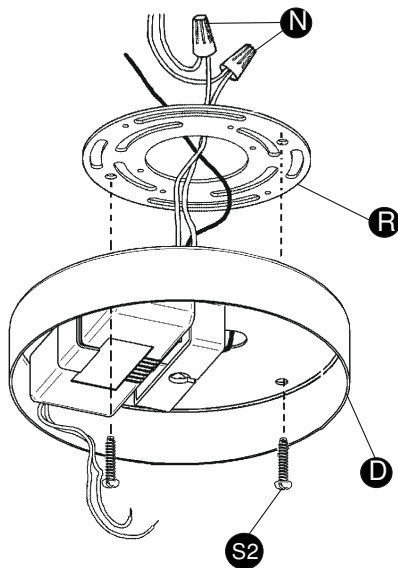
1



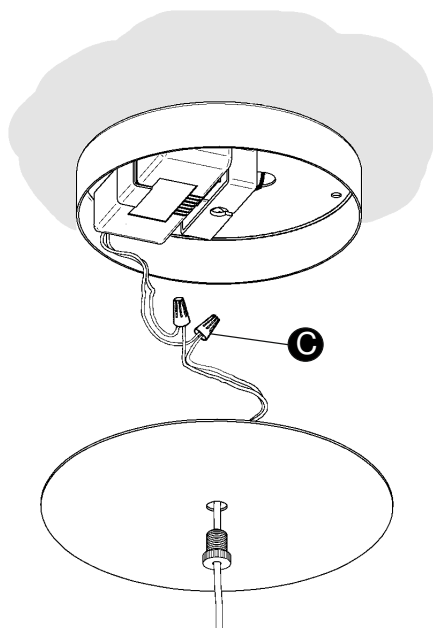
2



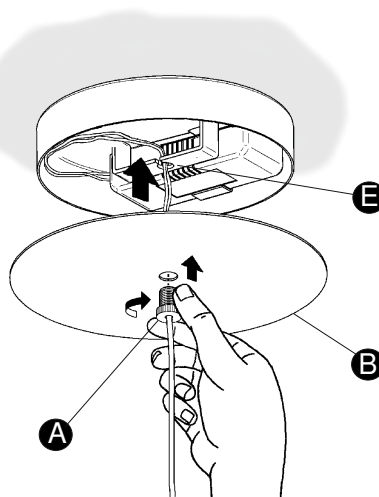
3



4



5



IMPORTANT NOTICE:

Switch of the mains before installing the lamp.

1. Making certain that the threads of the cross bar screws are pointing away from the wall, secure the round cross bar (R) to the junction box using the mounting screws (S1).
2. Unscrew the nut (A) and, while holding the disc (B), undo the connectors (C) to free the plate (D).
3. Connect the white fixture wire to the white wire of the supply circuit. Connect the black fixture wire to the black wire of the supply circuit. Secure with the wire nuts (N) and tape connections with electrical tape. Connect the fixture yellow and green ground wire and the supply green tinted ground wire to the ground screw on the round cross bar using the ground terminal.
Push the connections and all excess wire to the interior of the junction box. Spread the electrical splices on the round cross bar (R) so that the black wires are on one side of the junction box and the white wires on the other. Secure the plate (D) to the round cross bar, using the screws (S2).
4. Click the (C) connectors together .
5. Run the wires through the hole in the centre of the strip (E) and after fitting them inside the plate fit the disc (B) by screwing in the nut (A) by hand, without the aid of tools.

Maintenance

- Use a slightly-wet cotton cloth for cleaning.
- In case of malfunction or damage, please contact the retailer who sold the lamp.