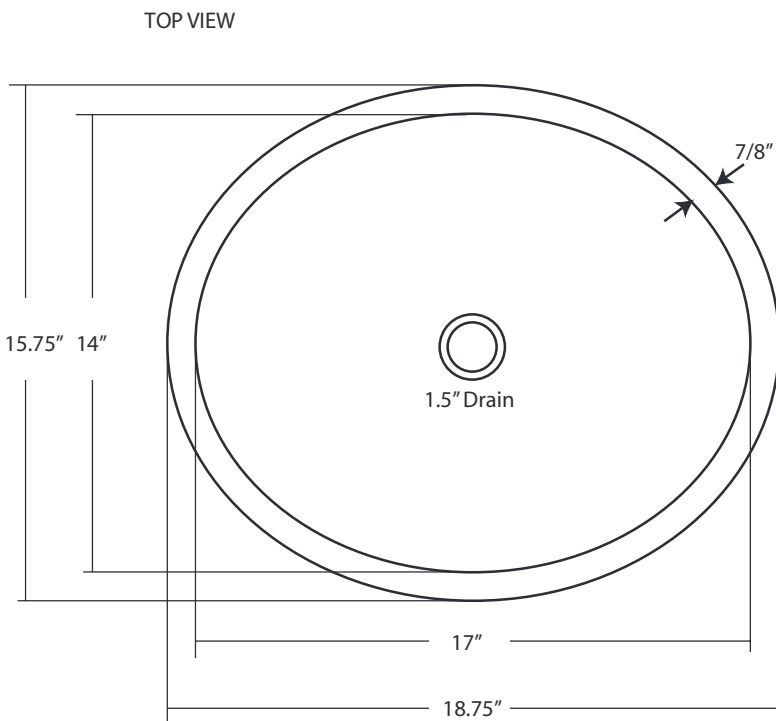


**SPECIFICATIONS FOR
 CALABASH**



CPS267- Antique
 CPS567- Brushed Nickel

PRODUCT DETAILS

- * 18.75" x 15.75" x 5.5" OD
- * 17" x 14" x 5" ID
- * Hand hammered 18 gauge recycled copper
- * 1.5" drain opening
- * Dimensions are not exact and may vary $\pm 1/2"$

INSTALLATION

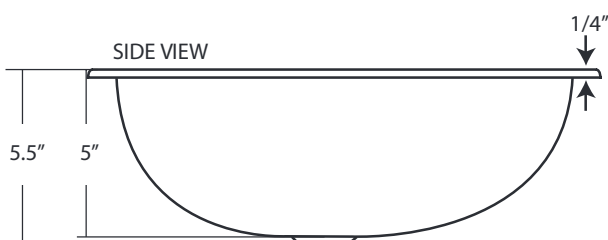
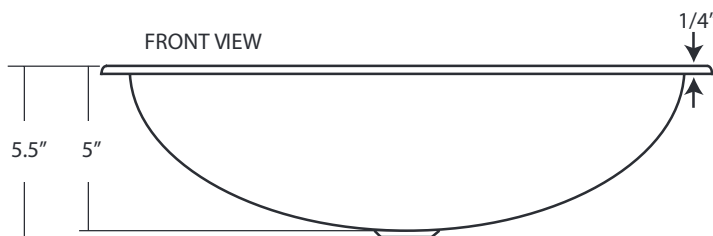
- * Lavatory
- * Undermount

COORDINATING PRODUCTS

- * Drains: DR120, DR150 or DR160

STANDARDS COMPLIANCE

- * IAPMO Listed / cUPC



IMPORTANT

Due to the handcrafted nature of this product, it will vary in finish, texture, hammering, and other details. Dimensions may vary up to 1/2". We strongly recommend that you wait for the actual product before making any installation cuts.