

**MODEL NUMBER:**

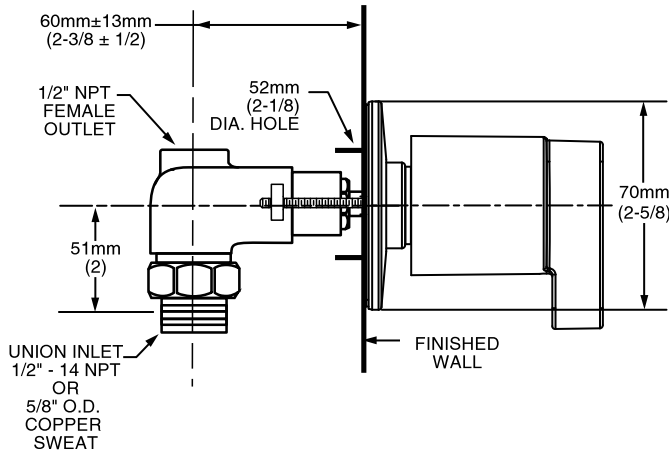
**TRIM KITS:**

- T506.700 On/Off & Volume Control Valve Trim**  
Valve Trim ONLY. With Lever handle. LESS Valve.

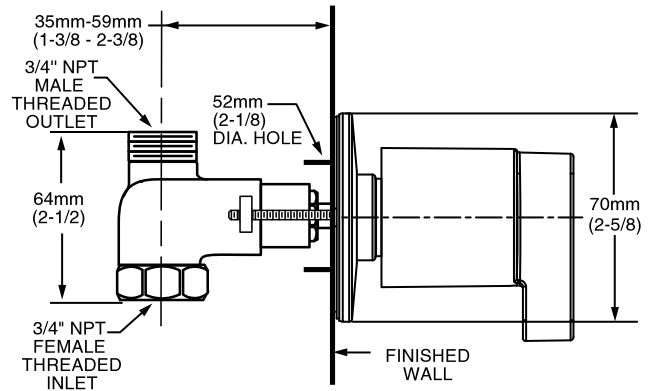
**ROUGH VALVE BODIES:**

- R701 On/Off & Volume Control Valve Rough**  
1/2" inlet/outlet. Less handle.
- R711 On/Off & Volume Control Valve Rough**  
3/4" inlet/outlet. Less handle.

**Model R701**  
1/2" NPT



**Model R711**  
3/4" NPT



**GENERAL DESCRIPTION:**

Cast brass valve body. Amarilis washerless ceramic disc valve cartridge. Choice of 1/2" or 3/4" NPT inlets and outlets. Trim is construction.

**PRODUCT FEATURES:**

**Brass Construction:** Durable - Excellent in high use applications. Ideal for prolonged contact with water.

**Ceramic Disc Valve Cartridge:** Assures a lifetime of drip-free performance.

**SUGGESTED SPECIFICATION:**

In-wall single valve shall feature a cast brass valve body. Model R701 shall feature combination 1/2" NPT threaded and direct sweat inlets. 1/2" NPT female outlet. Model R711 shall feature 3/4" female inlet. 3/4" male outlet. Shall also feature 1/4 turn washerless ceramic disc valve cartridges. Trim shall be constructed of brass. Fitting shall be American Standard Model # T506.700.\_\_\_\_ (Trim) and R7\_1 (Rough Valve Body).