

CLEANER SINK

Cat. No.

CS520



Basin: 20 1/4" x 15 3/8"
Above Counter Height: 18 7/8"

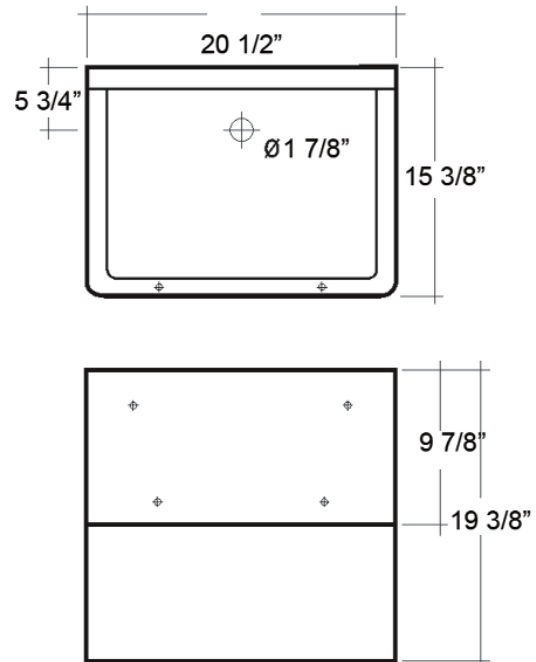
Features:

- ▶ Made of fine fire clay for durability
- ▶ Wall-hung
- ▶ Wire grid available

Colors:

WH White

Meets or exceeds the following specifications: ASME 112.19.9M for fine fire clay.



Interior Dimensions:

Basin interior: 17 3/8" x 12 3/8"
Basin depth: 8 5/8"

Dimensions of fixture are nominal and may vary within the range of tolerances established by ANSI Standard A112.19.2. Dimensions and specifications subject to change without notice.