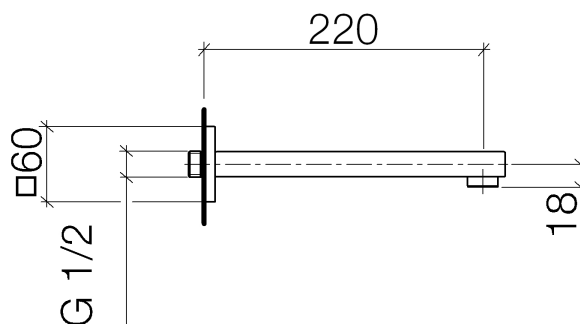


### Product specifications

- **8 5/8" projection**
- M 24 x 1 aerator – male thread
- Water flow rate limited to max. 1.5 gpm
- low lead compliant
- Flange 2 3/8 x 2 3/8"



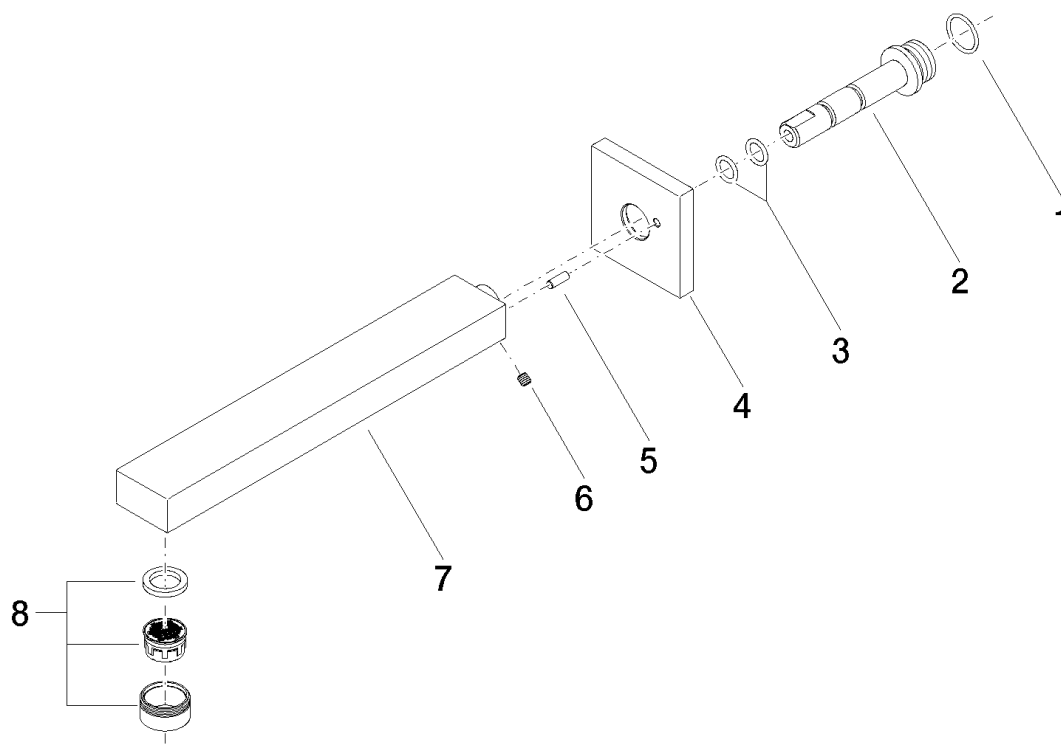
### Surfaces

- |                 |                 |
|-----------------|-----------------|
| • chrome        | 13805980-000010 |
| • chrome        | 13805980-000010 |
| • matt platinum | 13805980-060010 |
| • matt platinum | 13805980-060010 |

### Accessories required

- Rough; 35080970
- Rough; 35080970

**Exploded assembly drawing**



**Order quantity**

<b>No.</b>	<b>Article number</b>	<b>Name</b>	<b>Installation quantity</b>
1	09141005390	seal	1
2	09240413590	nipple	1
3	09141000890	seal	1
4	092768000ff	rosette	1
5	09311104090	pin	1
6	09311103090	pin	1
7	09116800010ff	spout	1
8	90230102904ff	aerator	1

