

FEATURED MODEL

518619 Above Counter, 7-7/8" bowl depth, ANTHRACITE

ADDITIONAL MODELS

519448 Above Counter, 7-7/8" bowl depth, CINDER

519449 Above Counter, 7-7/8" bowl depth, WHITE



reddot design award
product design

FEATURES

- Unique 3" profile that sits above the counter and offers a generous amount of task space
- Required outside cabinet: 27"
- 80% solid granite
- Heat resistant up to 536°F
- Unsurpassed cleanability backed by industry leading 7 patents!
- Resistant to scratches, stains and all household acids and alkali solutions
- Template provided
- Innovative side drainboard excellent for food preparation
- Suitable for above counter / island installations only
- Drain NOT included
- Impervious Hygienic+Plus shield against bacteria and dirt
- Comes with single hole deck and optional knockout holes

INCLUDED ACCESSORIES

Ash Cutting Board

BLANCO CapFlow Drain Cover

CODE/STANDARDS COMPLIANCE

ANSI Z124.6-97

IAPMO/UPC listed

WARRANTY

BLANCO'S SILGRANIT II Series sinks feature a LIMITED LIFETIME WARRANTY to be free of all manufacturing defects under normal use. See our complete warranty for details.

While BLANCO endeavors to provide accurate information, all dimensions are nominal, cannot be guaranteed, and are subject to change or cancellation. BLANCO assumes no responsibility for use of superseded or voided specifications.

JOB INFORMATION

Job Name: _____

Contact: _____

Date Specified: _____

Specifier: _____

Contractor: _____

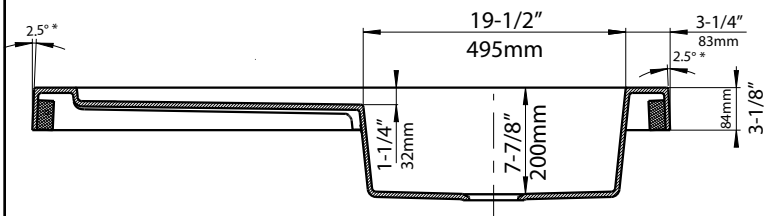
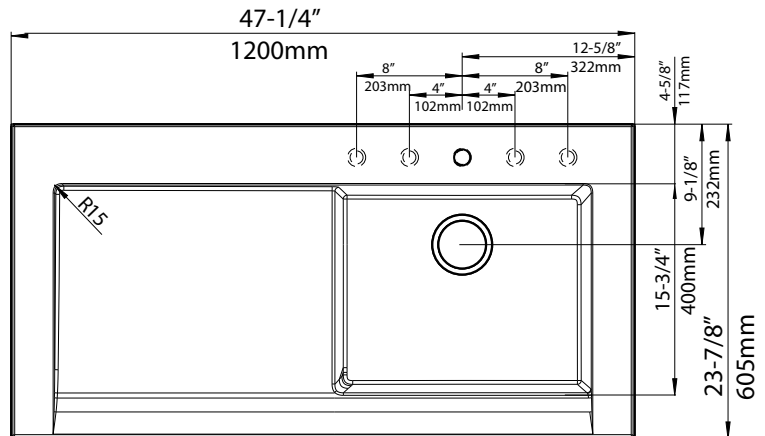


NOMINAL DIMENSIONS

Model 518619 shown

OVERALL	CUT OUT SIZE	BOWL DEPTH	DRAIN
47-1/4" x 23-3/4"	20-7/8" x 20-3/4"	7-7/8"	3-1/2"

DXF cutout templates available on our website.



* Special note: All four sides have a 2.5° draft.

BLANCO AMERICA

800.451.5782

www.blancoamerica.com

© 2013 BLANCO AMERICA

7/13

SPEC-003