

Date:

Client:

Project:

VOLA product: KV4



**KV4**

Three-hole mixer combination consisting of 2 pcs. ¼ turn ceramic stop valves S50, 360° double swivel spout 090 with water saving aerator, 2 pcs. 60 mm circular flanges 001.

Inlet/Outlet: ½".

Hole cut out size, valves: 28 mm - 35 mm.

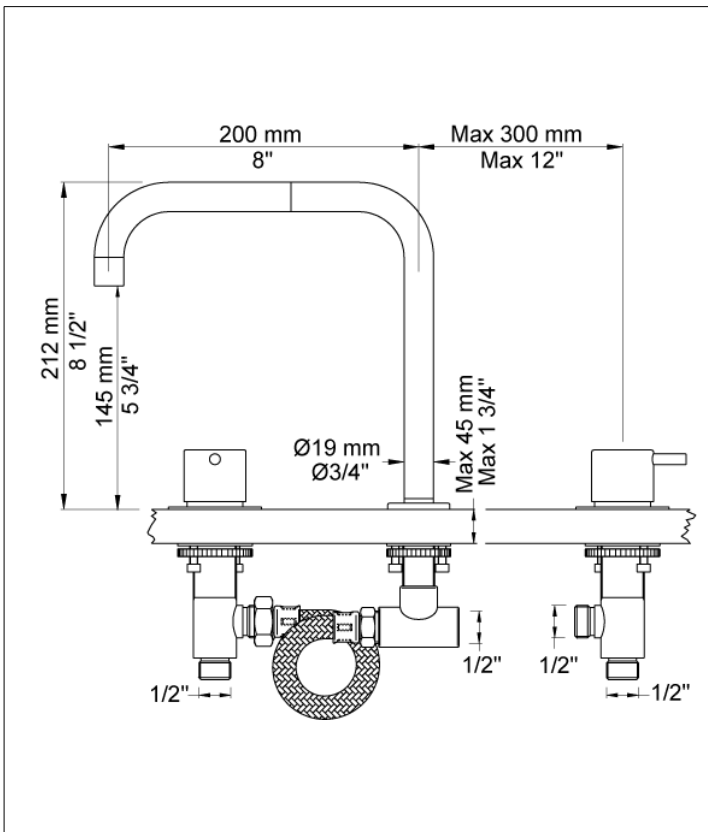
Hole cut out size, spout: 21 mm, max. 29 mm.

**Flow**

	Bar:	1,0	2,0	3,0	4,0	5,0
KV4	(l/min)	9,0	9,0	9,0	9,0	9,0

**Available in colours**

- Color 02, Grey
- Color 04, Light blue
- Color 05, Orange
- Color 06, Light green
- Color 08, Yellow
- Color 09, Dark grey
- Color 12, Mocca
- Color 14, Bright red
- Color 15, Dark blue
- Color 16, Polished chrome
- Color 17, Gloss black
- Color 18, White
- Color 19, Natural brass
- Color 20, Brushed chrome
- Color 21, Carmine red
- Color 25, Pink
- Color 27, Matt black
- Color 40, Brushed stainless steel



Date:

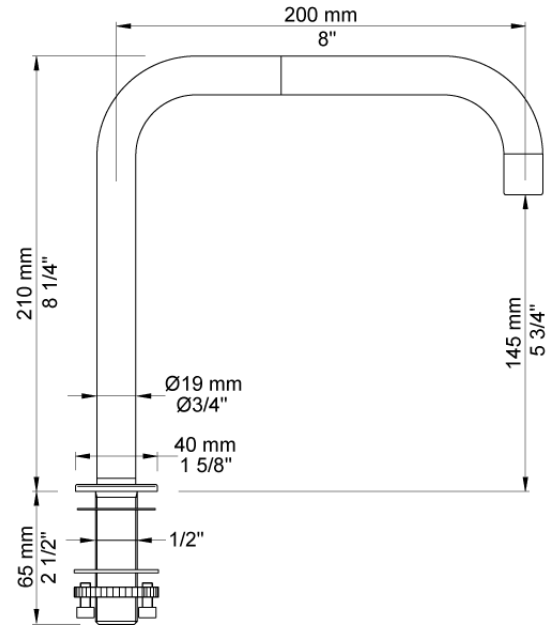
Client:

Project:

VOLA product: KV4



**090**  
360° double swivel spout with water saving aerator.  
Hole cut out size: 21 mm. max. 29 mm.



**S50**  
Stop valve with 1/4 turn ceramic disc technology.  
Includes non-return valve and 1/2" inlet/outlet.  
Hole cut out size: 28 mm max 35 mm.

