

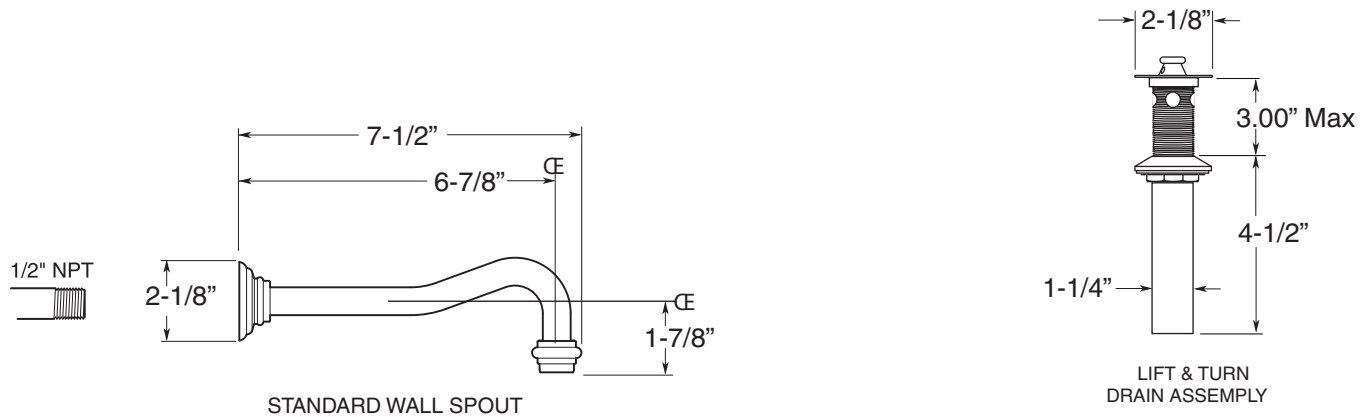
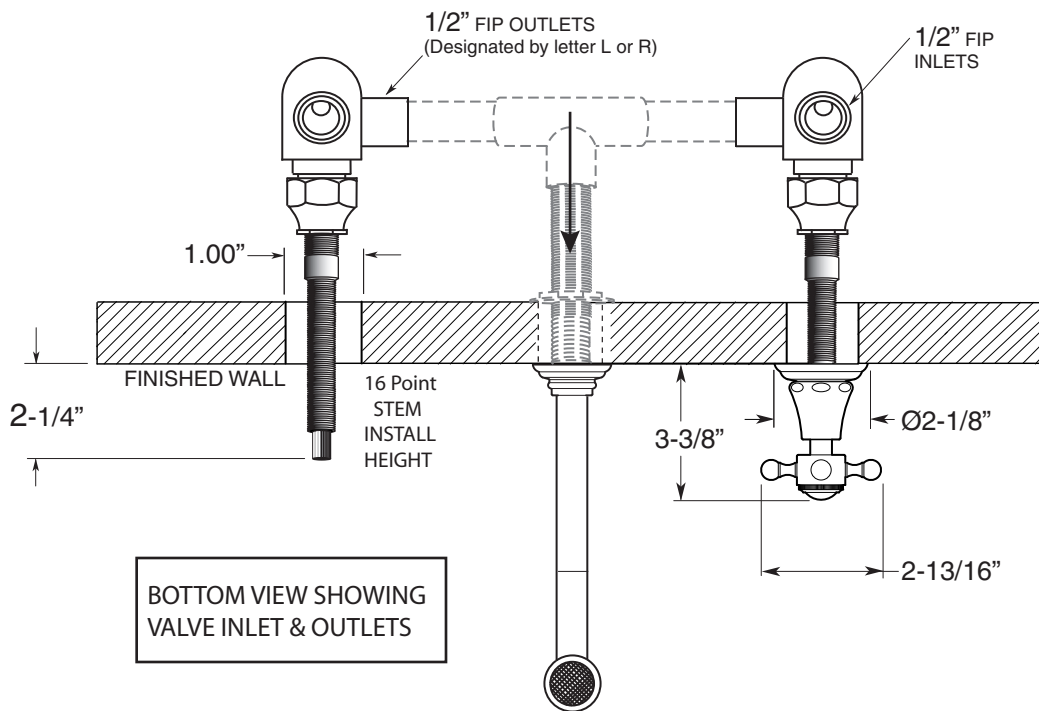
**FEATURES:**

- All brass construction, Independent corner valves  
Includes lift & turn style drain assembly.
- Extended wall vessel spout, 10-1/2" long, available P/N: 18.07.018
- Quarter turn ceramic disc valve cartridge.
- Available in all finishes. Warranty varies according to finish selection.
- Certified to meet and exceed the following codes and standards:  
ASME A112.18.1-2005/CSAB125.1-2005

**Specifications**

*Series 350*

**Wall/Vessel Lavatory Set**  
**St. Michel Handle**  
**1.355507S**  
**(1.355507ST - Trim Only)**



Note: Measurements are subject to change or cancellation. No responsibility is assumed for use of superseded or voided pages.