

STEAMIST®

Steam Generator

Models: SM-5, SM-7, and SM-9

Features

Limited lifetime warranty - 2-year in home labor warranty where available

Generator typically can be installed up to 25 ft. from the bathing area

Diagnostic LED Displays

Stainless Steel Construction

Solid-State Circuitry

Codes/Standards

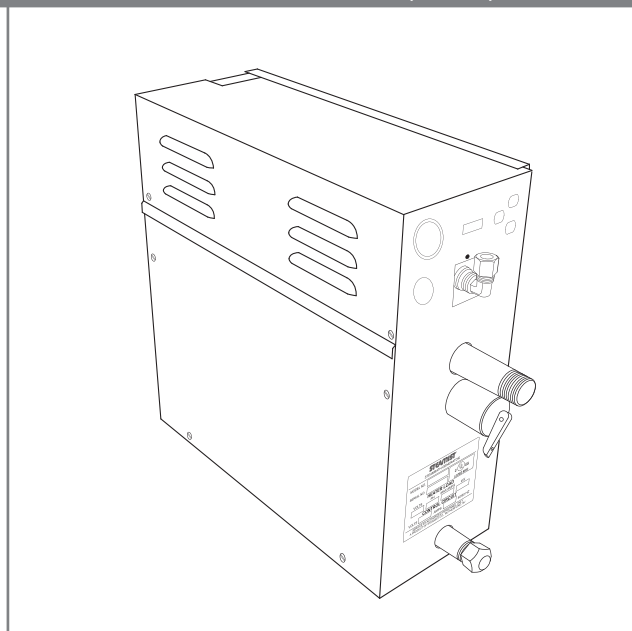
UL 499

UL/CUL Listed

City of LA - Approved

City of New York - M.E.A. Approved

State of Mass. Approved



Steam Generator Specification Chart

Model Number	Product Number	KW Rating	Max. Cu. Ft. Range*	Volts/Phase/Max. Amps	Line Fuse	Dimensions L x W x H
SM-5	5010	5	100	240/1/21	30	15" x 6" x 15.5"
	5011			208/1/24		
SM-7	7010	7	220	240/1/29	40	
	7011			208/1/34		
SM-9	9010	9	360	240/1/38	50	
	9011			208/1/43		

* Refer to sizing guidelines to accurately determine the proper size generator for the installation.
90°C copper wire is required for generator connection. Installation shall be in accordance with NEC and local electrical codes.

Required Equipment

SMS-120, SMC-150, TC-110, TC-135, TC-125, TC-150, DSC-425, or DSP Controls

Required Electrical Service

Dedicated circuit required: See Specification Chart for proper electrical requirements

Product Information

Water Supply - 3/8" Compression Fitting, 120 PSI Max

Steam Line - 3/4" Brass BPT male thread

Pressure Relief Valve - 3/4" NPT female thread

Capped 1/2" drain line - Auto Drain Ready

Generator

Weight - 30 lbs.

Installation Notes

Steam Generators can be typically mounted within 25 ft. of the bathing area.

Steam Generators should be accessible for service.

Do not install generators outside, in moist, humid area or in an area where parts may freeze or corrode.

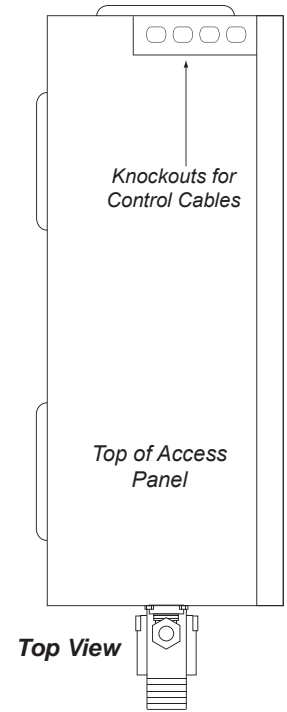
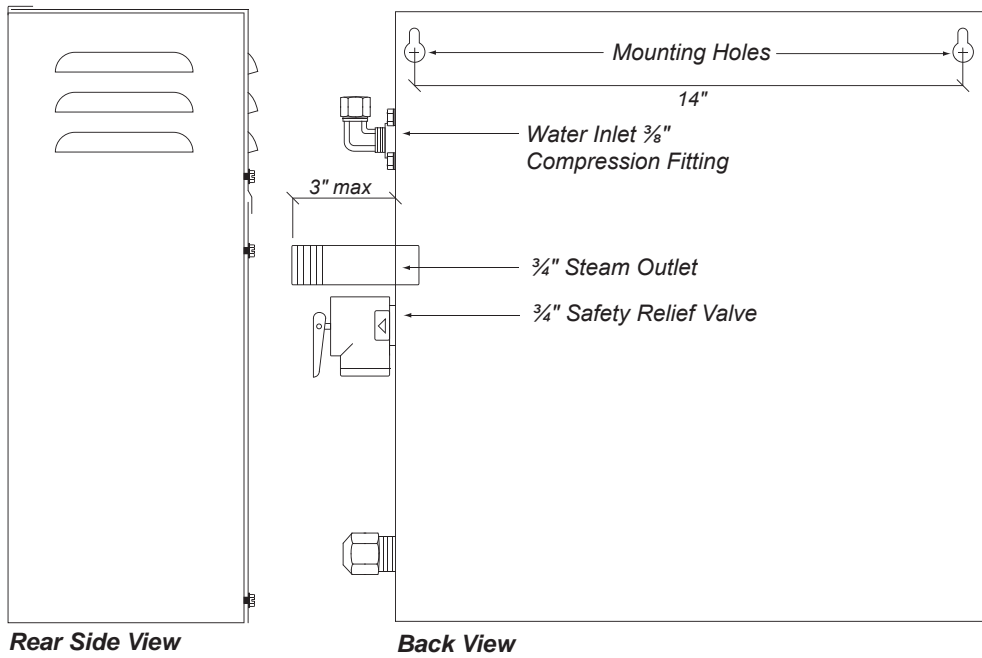
Steamhead to be mounted 18" above floor or 6" above rim of tub and as far from the seating area as possible.

Rough-in Notes

Access: 21" W x 18" D x 22" H (28" W with Auto Drain)

Dimensional Drawing

Models: SM-5, SM-7, and SM-9



*Add 1/4" to the dimension for the louvers

