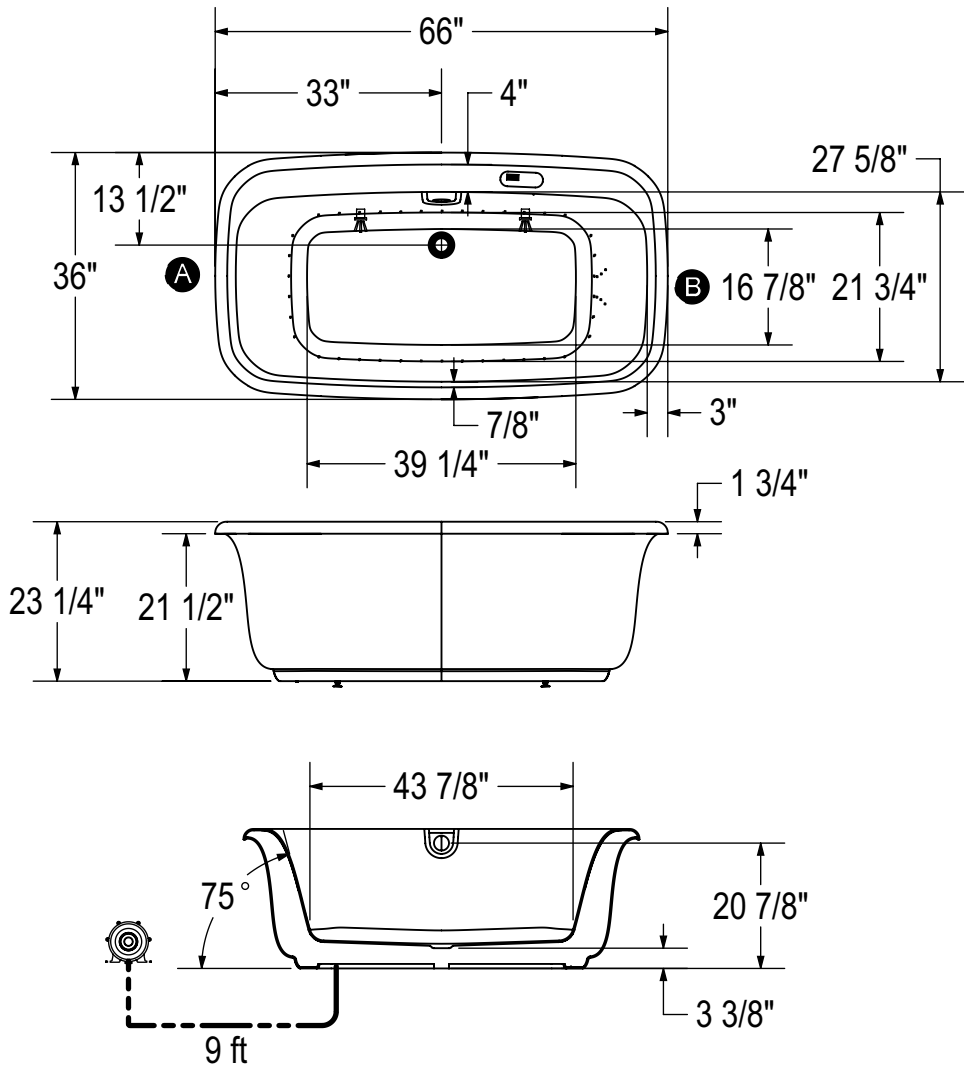


AIR SYSTEM



Ⓐ : Specify remote blower location when ordering

Ⓑ : Indicates chromatherapy light positioning

● : Indicates Aerofeel airjets positioning

All dimensions are approximate. Structure measurements must be verified against the unit to ensure proper fit.