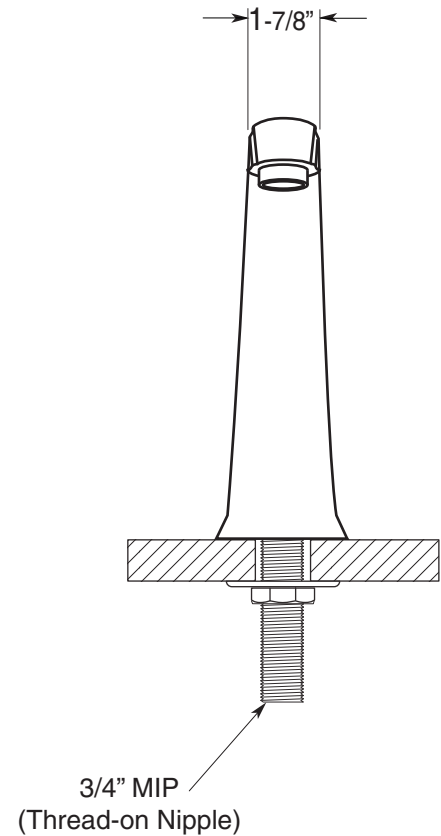
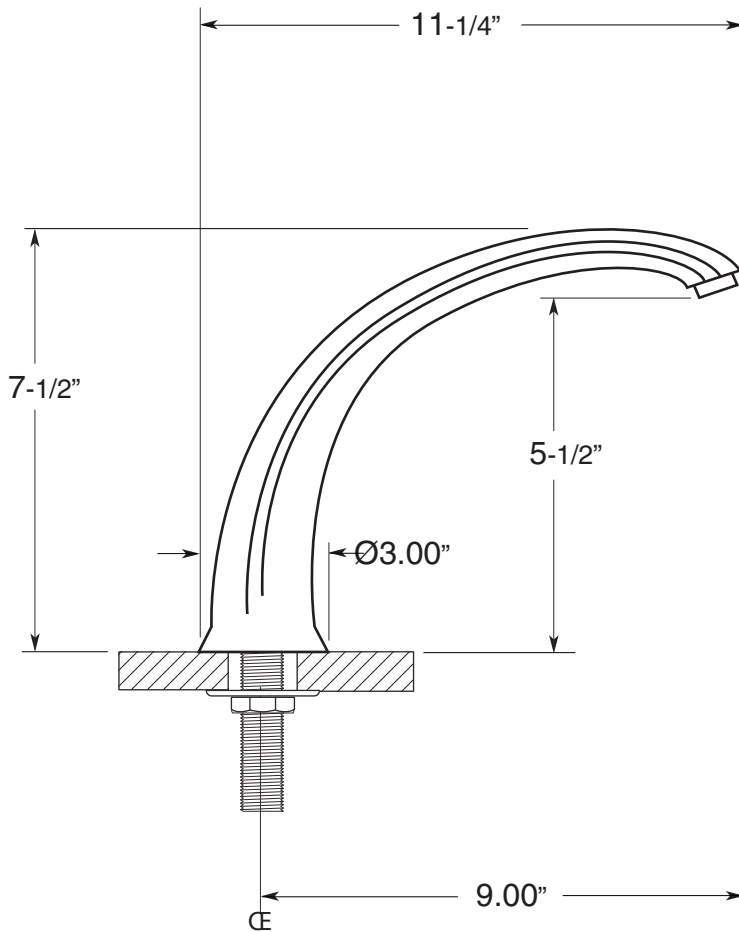


## SPECIFICATIONS Specialty Fittings

### FEATURES:

- All brass construction
- Available in all Sigma finishes
- Large aerator for clean water flow
- Thread on-Nipple 18.15.041
- Maximum deck thickness: 3.00"
- Meets: ASME A112.18.1-2005/CSAB125.1-2005

500 Goliath  
Roman Tub Spout  
18.15.001



NOTE: Spouts install through 1-1/4" Diameter Holes.

Note: Measurements are subject to change or cancellation. No responsibility is assumed for use of superseded or voided pages.