

SPECIFICATIONS

BRANDYWOOD™ TWO HANDLE WIDESPREAD LAVATORY FAUCET

Model

D304066

Flow Rate

Description

- Ceramic disc valves
- 3" high spout, 4 5/8" spout length, laminar flow
- Cross handles
- With metal touch down drain assembly
- 3 hole mount, 6"-12" installation
- 1.5gpm (5.7L/min) maximum flow rate @60 psi

Standards



NSF/ANSI 372

• NSF/ANSI 372

MEETS ASME A112.18.1M/A112.18.1

• ASME A112.18.1M/A112.18.1

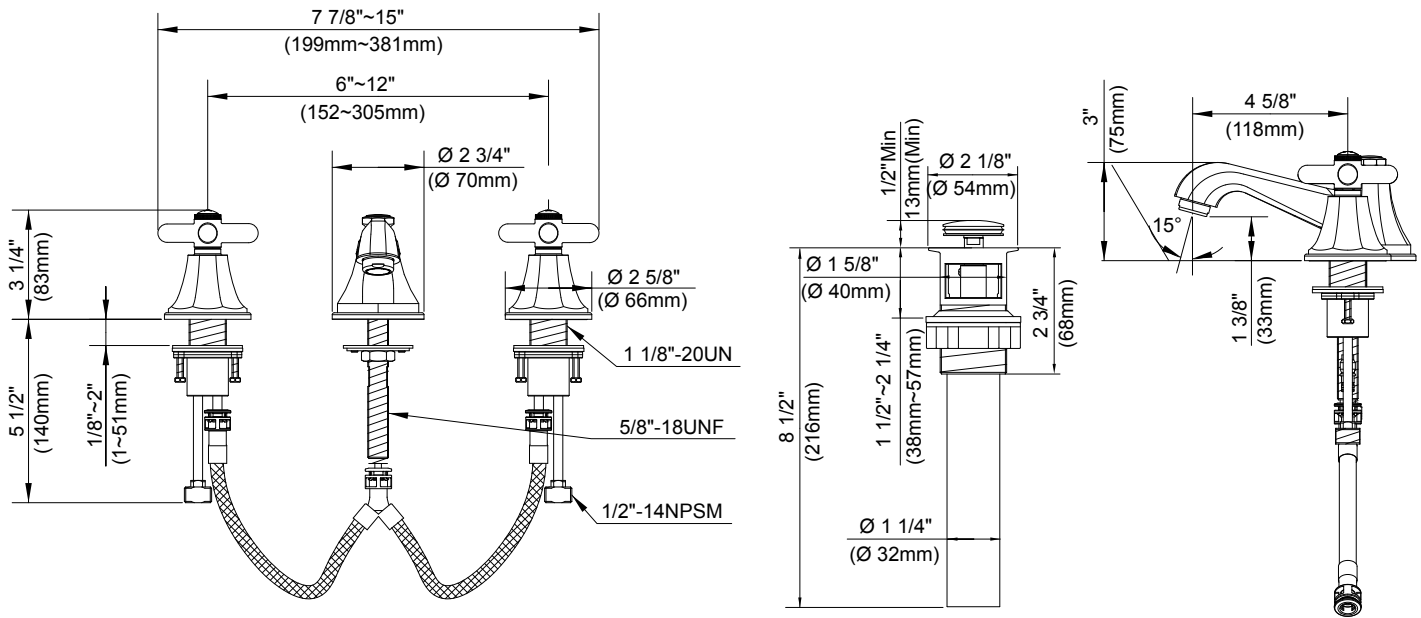


Finishes Available

- Chrome
- Other: Refer to Price List for additional finish

Warranty

Danze products are covered by a manufacturer's limited "lifetime" warranty for manufacturing defects.



Submittal Information:

Job Name: _____

Location: _____

Contractor: _____

Contact #: _____