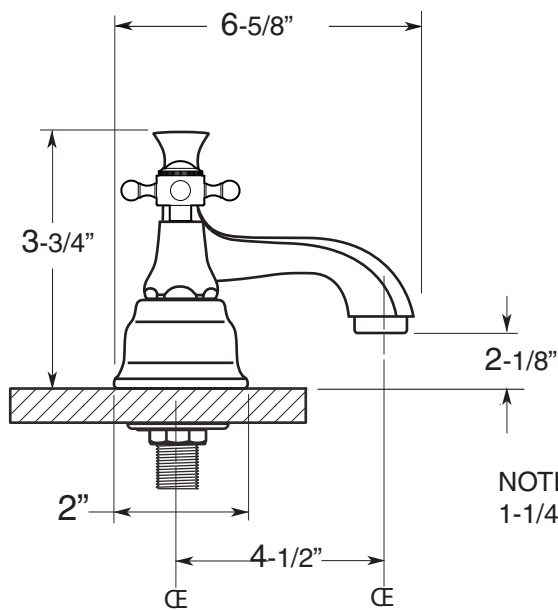


FEATURES:

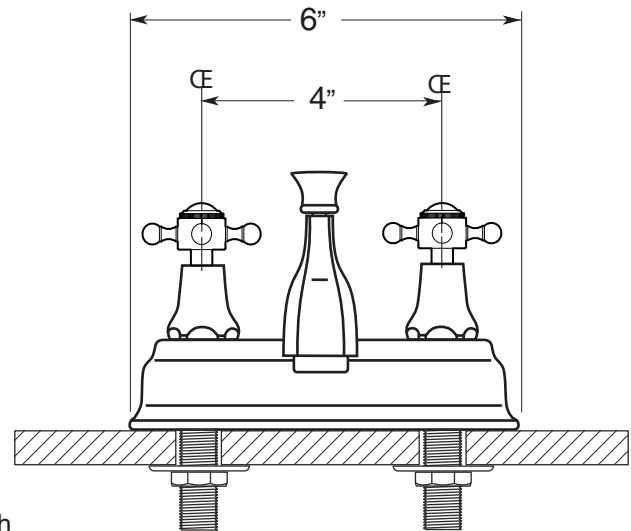
- All brass construction.
- Includes pop-up drain assembly with overflow
- Available in all Sigma finishes
- Not all handles fit this application
- Maximum deck thickness: 3/4"
- Replacement cartridge: 18.30.029-cold, 18.30.030-hot
- Meets: ASME A112.18.1-2005/CSAB125.1-2005

SPECIFICATIONS
Specialty Fittings

4" Centerset w/Hexagonal Spout
1.005503
St. Michel Handle



NOTE: Install through
1-1/4" Diameter Holes.



Connections are for 1/2" IPS
Flexible Supplies or 3/8" O.D.
Bull-Nose Risers

Note: Measurements are subject to change or cancellation. No responsibility is assumed for use of superseded or voided pages.