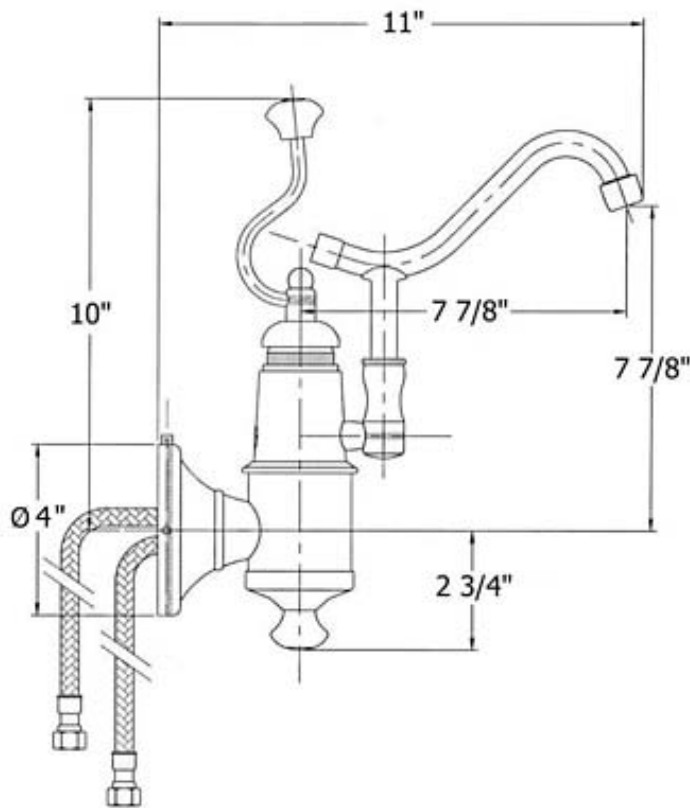


# 4107 - 'De Dion Single Lever Mixer Wall Mounted



| Part# | Description                      |
|-------|----------------------------------|
| 29    | 30" X 3/8" Flexible Supply Hoses |
| 34    | Rubber O-Rings                   |
| 71    | Finished Nuts                    |
| 72    | Threaded Stem                    |
| 73    | Mounting Plate                   |
| 74    | Lower Body with Wall Escutcheon  |
| 75    | Threaded Stem                    |
| 76    | Brass Dome                       |
| 91    | De Dion Complete Handle Set      |

## Technical Information

- Flow rate is 2.2 GPM
- Ceramic cartridge
- For complete De Dion handle set, please order part #95013163XX(63=WOOD HANDLE, XX=FINISH CODE) OR 95013120XX(20=CERAMIC HANDLE, XX=FINISH CODE)
- 30" X 3/8" flexible supply hoses
- Available finishes are Polished Brass(55), Polished Nickel(56), Brushed Nickel(57), Polished Copper & Brass(58), Weathered Copper & Brass(59), Satin Nickel(60)
- Please see cleaning instructions for finish care and maintenance information
- Faucet Ships With Wood Handles (63). Specify (20) For Ceramic Handles

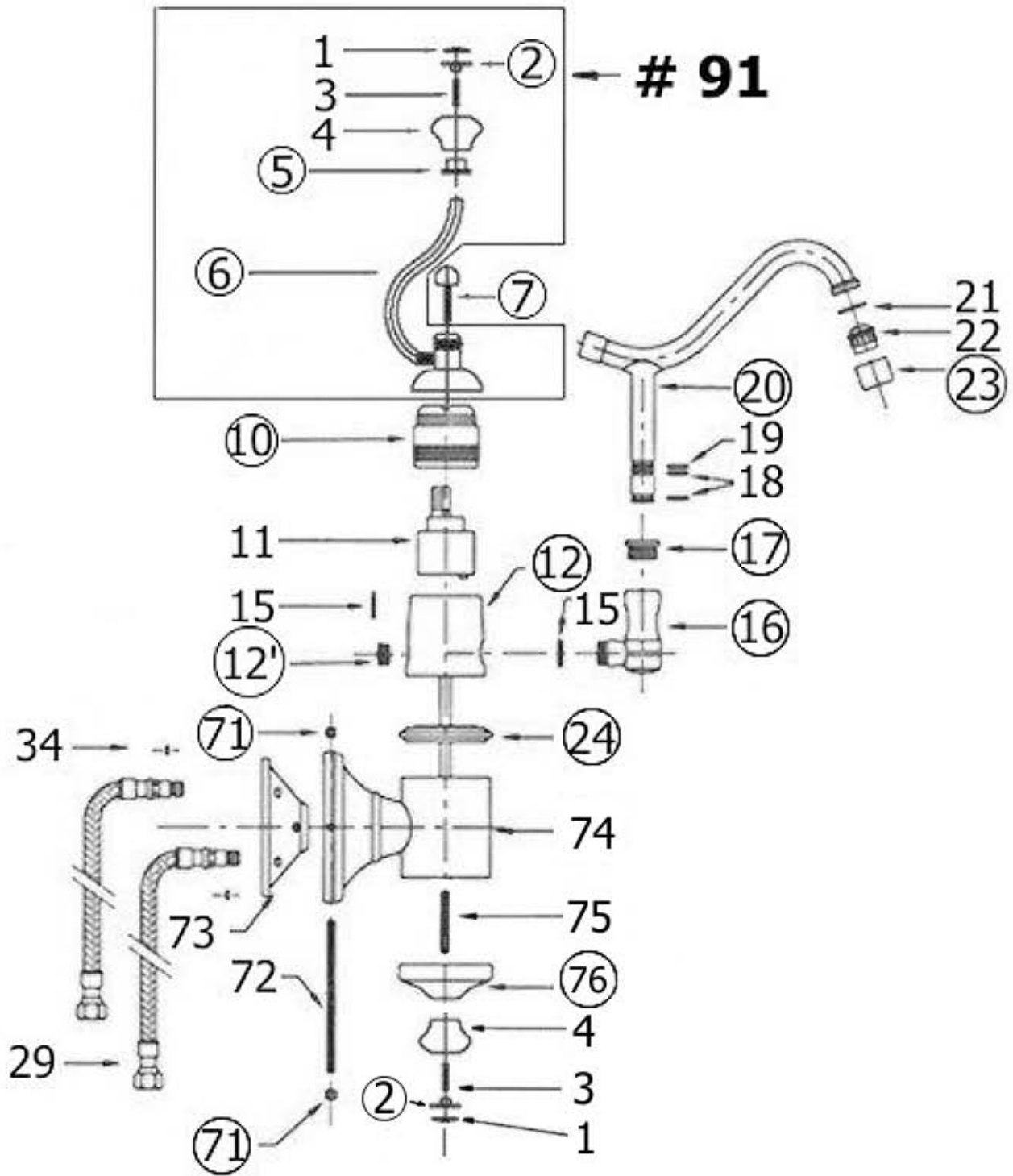
| Part# | Description           |
|-------|-----------------------|
| 1     | Ceramic Insert        |
| 2     | Dec. Finished Nut     |
| 3     | Threaded Stem         |
| 4     | Finished Wood Knobs   |
| 5     | Finished Metal Sleeve |
| 6     | Handle Stem           |
| 7     | Round Screw           |
| 10    | Cartridge Holding Nut |
| 11    | Ceramic Cartridge     |
| 12    | Upper Body            |
| 12'   | Diverter Access Screw |
| 15    | Rubber O-Rings        |
| 16    | Spout Elbow           |
| 17    | Swan Nut              |
| 18    | Spout O-Rings         |
| 19    | Nylon Clip            |
| 20    | Spout                 |
| 21    | Aerator Washer        |
| 22    | Aerator Filter        |
| 23    | Aerator Cover         |
| 24    | Upper Escutcheon Ring |

Please follow example when ordering parts for 'De Dion' Mixer

- To order part #20 – **Spout**
  - 9410720 xx
- Please substitute finish number needed in place of **xx**.
- To order a part that is not finished use **00**



# 4107 - 'De Dion' Single Lever Mixer Wall Mounted



○ - Finished Pieces

# 4107 - 'De Dion' Single Lever Mixer Wall Mounted

